

Date	Fixture	Project	Quantity
------	---------	---------	----------

Titan HB 80

Recessed Kit

Features

- Commercial recessed LED fixture
- Aluminum body
- Suitable for industrial, commercial, warehouses and large box retail environments
- Dry and damp rated
- Designed and Manufactured in North America
- 5 Year Warranty



Specifications

Construction

Aluminum Construction
Power Coated Finish

Dimensions

23.68"W x 23.6"L x 4"H

LED

Samsung LM281B Plus Pro, 3-Step MacAdam Binning
200,000+ Life Hours (L70)

Efficacy

149 Lm/W

Watts

80W

Color Temperature

3000K - 5000K

CRI

80 or 90

Voltage

120/277V or 347/480V

Controls

0-10V Dimming down to 1%

Operating Temperature

-40°C to +40°C | -40°F to +104°F

Lens

Frosted
Clear

Mounting

T-Grid

Accessories

Occupancy Sensor (on/off)
Wireless Controls
Bi-Level Dimming (100%/10%)
10kV Surge Protection
Dimming Wire
Emergency Battery
Gasketed and Conformal Coated

Wiring

Internal
Black or White Flexible Cord

Finishes

White - RAL 9003

Certifications

DLC
cULus

Not all products are qualified on the DLC QPL. To view our DLC qualified products, please consult the DLC qualified products list at www.designlights.org/qpl.



Ordering Guide

Sample Configuration: TITANHB - 80 - 80 - 4K - U - FR - WH - TG - BFC - N

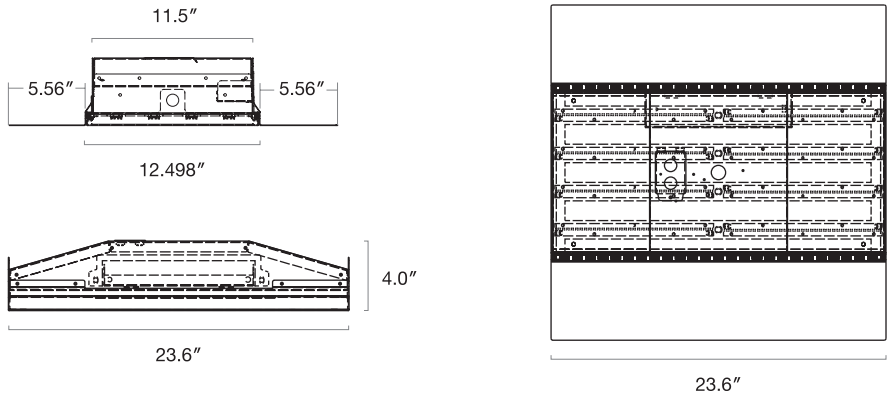
TITAN HB	80						TG		
Model	Watts	CRI	Color Temp	Voltage	Lens	Finish	Mounting	Wiring	Accessories

Model	Watts	CRI	Color Temp	Voltage	Lens	Finish
TITAN HB	80	80 90	3K - 3000K 35K - 3500K 4K - 4000K 5K - 5000K	U - 120/277V H - 347/480V	FR - Frosted CL - Clear CLG - Clear Glass	WH - White CU - Custom* Note: For custom finishes please specify RAL number

Mounting	Wiring	Accessories
TG - T-Grid	BFC - Black Flexible Cord WFC - White Flexible Cord IN - Internal	N - None <i>Optional</i> OCC - Occupancy Sensor (on/off) WC - Wireless Controls (contact factory) BLD - Bi Level Dimming (100%/10%) GCC - Gasketed and Conformal Coated DA - Dimming Wire Accessible 10kV - 10kV Surge Protection

Note: For custom configurations please contact factory. TitanHB Natatorium includes conformal coated boards and gasketing for damp and chlorine environments.

Dimensions



Output Performance

Model	Watts	Lm/W	Delivered Lumens
TitanHB 80	79.1	149	11786