

Date	Fixture	Project	Quantity
------	---------	---------	----------

# Titan HB C

## High Bay

### Features

- LED High Bay
- Aluminum construction
- Commercial, industrial, warehouses, gyms, and arena applications
- Dry and damp rated
- Designed and manufactured in North America
- 5 Year Warranty



### Specifications

#### Construction

Aluminum Housing  
Powder Coated Finish

#### Dimensions: WxHxL

Titan HB 80: 6.65" x 4.81" x 24"  
Titan HB 120: 6.65" x 4.81" x 36"  
Titan HB 160: 6.65" x 4.81" x 47.5"  
Titan HB 240: 12.6" x 4.81" x 36"  
Titan HB 320: 12.6" x 4.81" x 47.5"  
Titan HB 480: 27.22" x 4.81" x 47.5"

#### LED

Samsung LM281B Plus Pro, 3-Step MacAdam Binning  
200,000+ Life Hours (L70)

#### Efficacy

Up to 150 Lm/W

#### Watts

80W - 480W

#### Color Temperature

30000K - 5000K

#### CRI

80 or 90

#### Voltage

120/277V or 347/480V

#### Controls

0-10V Dimming down to 1%

#### Operating Temperature

-25°C to +40°C | -13°F to +104°F  
-25°C to +55°C | -13°F to +131°C (option)

#### Lens

Frosted, Clear, Clear Glass

#### Mounting

V Hook  
Jack Chain  
Aircraft Cable  
Diecast Mounting Plate  
Indirect-Uplight Mounting Bracket  
T-Grid Kit

#### Accessories

Occupancy Sensor (on/off), Wireless Controls,  
Bi-Level Dimming (100%/10%), 10kV Surge Protection  
Dimming Wire, Gasketed and Conformal Coated

#### Wiring

Black or White Flexible Cord

#### Finishes

White - RAL 9003  
Custom RAL

#### Certifications

DLC  
cULus

Not all products are qualified on the DLC QPL. To view our DLC qualified products, please consult the DLC qualified products list at [www.designlights.org/qpl](http://www.designlights.org/qpl).



## Ordering Guide

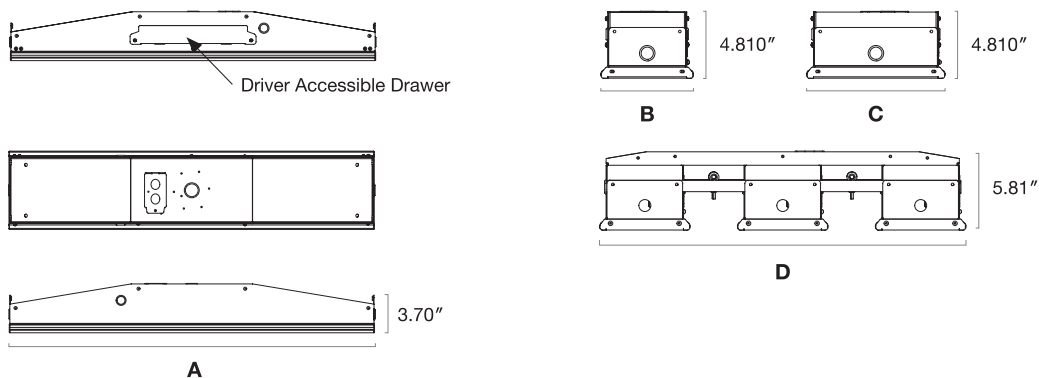
Sample Configuration: TITANHB - 120c - 80 - 4K - U - FR - WH - V - BFC - N

<b>TITAN HB</b>					<b>FR</b>	<b>WH</b>			
Model	Watts	CRI	Color Temp	Voltage	Lens	Finish	Mounting	Wiring	Accessories

Model	Watts	CRI	Color Temp	Voltage	Lens	Finish
<b>TITAN HB</b>	<b>80c</b> <b>120c</b> <b>160c</b> <b>240c</b> <b>320c</b> <b>480c</b>	<b>80</b> <b>90</b>	<b>3K</b> - 3000K <b>35K</b> - 3500K <b>4K</b> - 4000K <b>5K</b> - 5000K	<b>U</b> - 120/277V <b>H</b> - 347/480V	<b>FR</b> - Frosted <b>CL</b> - Clear <b>CLG</b> - Clear Glass	<b>WH</b> - White <b>CU</b> - Custom*  Note: For custom finishes please specify RAL number

Mounting	Wiring	Accessories
<b>V</b> - V Hooks <b>JC72</b> - Jack Chain Set 4x72" w/ "S" Hooks Included <b>JC96</b> - Jack Chain Set 4x96" w/ "S" Hooks Included <b>JC144</b> - Jack Chain Set 4x144" w/ "S" Hooks Included <b>ACY120</b> - Aircraft Cable 120" w/ Mini Hook <b>1/2 NPT</b> - Diecast Mounting Plate with 1/2" NPT <b>3/4 NPT</b> - Diecast Mounting Plate with 3/4" NPT <b>IND</b> - Indirect-Uplight mounting bracket (480W model not included) <b>T-Grid</b> - T-Grid Kit (contact factory)	<b>BFC</b> - Black Flexible Cord <b>WFC</b> - White Flexible Cord	<b>N</b> - None <i>Optional</i> <b>OCC</b> - Occupancy Sensor (on/off) <b>WC</b> - Wireless Controls (contact factory) <b>BLD</b> - Bi Level Dimming (100%/10%) <b>GCC</b> - Gasketed and Conformal Coated <b>DA</b> - Dimming Wire Accessible <b>10kV</b> - 10kV Surge Protection

## Dimensions



Model	Length A (nominal)	B - Width	C - Width	D- Width
TitanHB 80c	24"	6.65"		
TitanHB 120c	36"	6.65"		
TitanHB 160c	47.5"	6.65"		
TitanHB 240c	36"		12.60"	
TitanHB 320c	47.5"		12.60"	
TitanHB 480c	47.5"			27.22"

## Output Performance

Model	Watts	Lm/W	Delivered Lumens
TitanHB 80c	79.16	149.9	11866
TitanHB 120c	116.1	149.6	17368
TitanHB 160c	151.54	149.2	22609
TitanHB 240c	236	150.1	35423
TitanHB 320c	316	149.5	47242
TitanHB 480c	476	150.2	71495