

Fixture: _____ QTY: _____

Project: _____

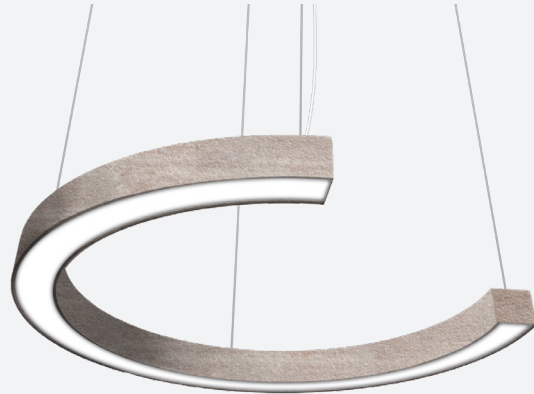
Thinline C Acoustic

Suspended Direct

Our C Shaped pendant acoustic light fixture combines the best of lighting and sound absorption technology.

Our innovative lighting solution not only illuminates your environment with brilliant LED light but also enhances the acoustics of the room, creating an environment that is both visually stunning and acoustically pleasing.

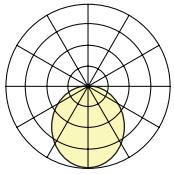
Designed and Manufactured in North America.



Specifications

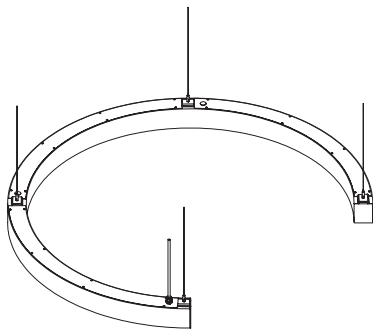
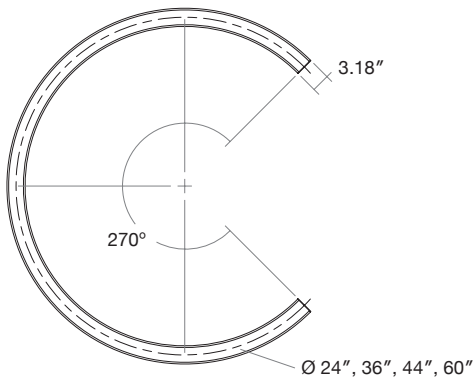
LED	Samsung 301 3-Step MacAdam Binning L90>70,000 4000K - 120 Lm/W 3500K - 90% 3000K - 96%	Circuits	1 and 2
CRI	80, 90	Accessories	10kV Surge Protection, Emergency Battery, Generator Transfer Device
Lumens/Ft	250Lm, 500Lm, 750Lm, 1000Lm (custom up to 1200Lm)	Wiring	5 Wire Optional: 5 Leads
Color Temp	2700K, 3000K, 3500K, 4000K, 5000K	Felt	100% Post-consumer recycled polyester Thickness: 3.175mm 0.125" 500 gsm (14.75 opsy) E84 compliant 33 Vibrant colors
Voltage	120/277, 347V	Certifications	cULus Dry and Damp Rated
Construction	Aluminum extruded with cast end caps	Warranty	5-Year Warranty
Dimensions	Widths: 3.18" Height: 4" Diameter: 24", 36", 44", 60"		
Mounting	Aircraft Cable 10" Standard		
Lens	Frosted Flat		
Driver	0-10 DIMOFF Optional: DALI, Lutron, Philips SR, ELDO		
Control Options	DMX, Philips SNS 300, Encelium CLM, LG Dongle, Bluetooth Mesh, Enlighted Integral		

Lens



Standard
Frosted Flat

Dimensions

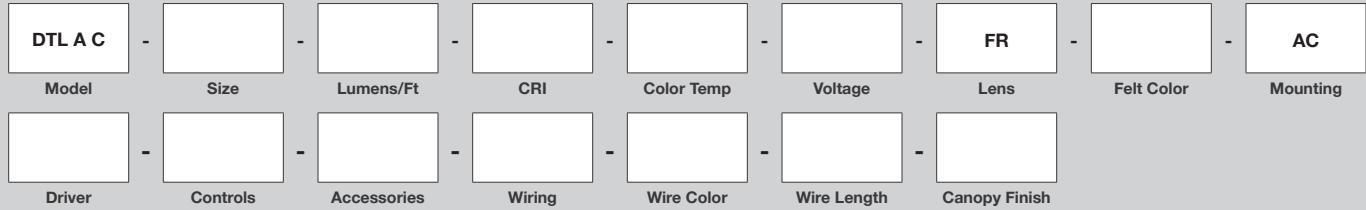


Eco Lux Designer Felt Color Options



Ordering Options

Sample Configuration: DTL A C - 44 - D500 - 80 - 4K - U- FR - DB-01 - AC - DIMOFF - N - N - N - CL - 6 - WH



Model	Size	Lumens/ft	CRI	Color Temp	Voltage	Lens	Felt Color	Mounting
DTL A C	24	D 250	80	27K - 2700K	U - 120/277V	FR - Frosted Flat	Color ____ - Please see color options	AC - Aircraft Cable 10' Standard
	36	D 500	90	3K - 3000K	H - 347V			
	44	D 750		35K - 3500K				
	60	D 1000		4K - 4000K				
		D ____ (custom up to 1200)		5K - 5000K				

Driver

DIMOFF - 0-10 DIMOFF

Optional

DALI - Digital Addressable Lighting Interface

LUTRON - Lutron Ecosystem

SR - Philips SR

ELDO - 1% ELDO (347 only 1-10 5%)

Controls

N - None

Optional

DMX - Digital Multiplex

SNS - Philips SNS 300 w/BLD & Daylight

CLM - Encelium CLM

LG - LG Dongle

BT - Bluetooth Mesh

EN - Enlighted Integral

Accessories

N - None

Optional

10kV - 10kV Surge Protection

EM - Emergency Battery

+GTD - Generator Transfer Device

Note: - External Emergency Battery for 24" Model

Wiring

5 Wire - 5 Wire Standard

Optional

N - 5 Leads

Wire Color

CL - Clear

Optional

B - Black

W - White

Wire Length

Length(ft) ____ 6' Standard

Canopy Finish

WH - White RAL 9003

BLK - Black RAL 9004

CU - Custom

- Please contact factory for custom finishes