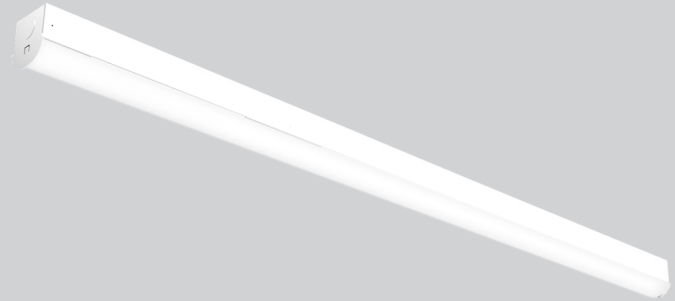


Fixture: _____ QTY: _____ Project : _____

Zip Eco

Suspended | Surface



LED linear strip light. 2', 4, and 8' length options. High impact acrylic lens. Pendant and surface mounting options. Enclosed lens prevents penetration of dust, insects, and other debris into the lamp compartment. Dry and damp rated.

DLC Listed
cULus Listed

Designed and manufactured in North America
5 Year Warranty



Ordering Options

Sample Configuration: ZIP ECO - 8 - 60 - 80 - 4K - U - FR - WH - V - BFC - N - ECO

Model	Length	Watts	CRI	Color Temp	Voltage	Lens	Finish	Mounting
ZIP ECO	2	20, 30	80	3K 3000K	U 120/277V	FR Frosted	WH White	V V Hooks
	4	20, 30, 40, 60	90	35K 3500K	H 347/480V			SU Surface
	8	40, 60, 80, 100, 120		4K 4000K 5K 5000K				Optional CR Continuous Run

ZIP ECO FR WH

Wiring

BFC Black Flexible Cord
WFC White Flexible Cord
IN Internal

Accessories

N None

Optional

OCC Occupancy Sensor (on/off)
10kV 10kV Surge Protection
WG Wire Guard
RFL Reflector
EM Emergency Driver Integral Programmable
MICRO Microwave Sensor -External (with BLD and Daylight Harvesting options)

Note: For custom configurations please contact factory

Note: Not all products are qualified on the DLC QPL. To view our DLC qualified products, please consult the DLC qualified products list at www.designlights.org/qpl.

Features & Specifications

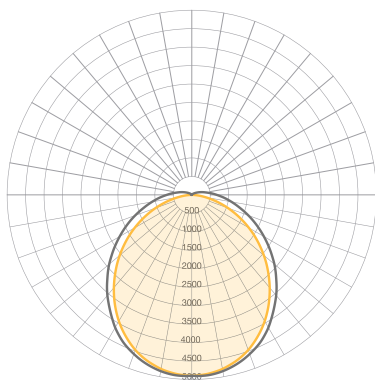
Efficacy:	Zip Eco 2: 142 Lm/W Zip Eco 4: Up to 155 Lm/W Zip Eco 8: Up to 158 Lm/W
CRI:	80 90
Color Temperature:	3000K, 3500K, 4000K, 5000K
Lumen Maintenance:	200,000+ Life Hours (L70)
Voltage:	120/277V 347V
Operating Temperature:	-35°C to +45°C -31°F to +113°F
Controls:	0-10V Dimming
Mounting:	V Hook, Surface Mount
Accessories:	Occupancy Sensor (on/off), Emergency Battery, 10kV Surge Protection, Wire Guard, Reflector, Microwave Sensor (external)

Output Performance at 4K

Model	Watts	Lm/W	Delivered Lumens
Zip Eco 2 20	20.63	141.88	2,927
Zip Eco 2 30	30.95	141.87	4,391
Model	Watts	Lm/W	Delivered Lumens
Zip Eco 4 20	18.90	150.26	2,840
Zip Eco 4 30	29.08	153.30	4,458
Zip Eco 4 40	39.26	154.74	6,075
Zip Eco 4 60	59.14	152.96	9,046

Model	Watts	Lm/W	Delivered Lumens
Zip Eco 8 40	39.26	157.62	6,188
Zip Eco 8 60	59.24	155.09	9,172
Zip Eco 8 80	79.26	154.67	12,259
Zip Eco 8 100	99.38	154.42	15,346
Zip Eco 8 120	119.26	154.42	18,416

Photometrics



Zip Eco 4 100 3K
Frosted Lens

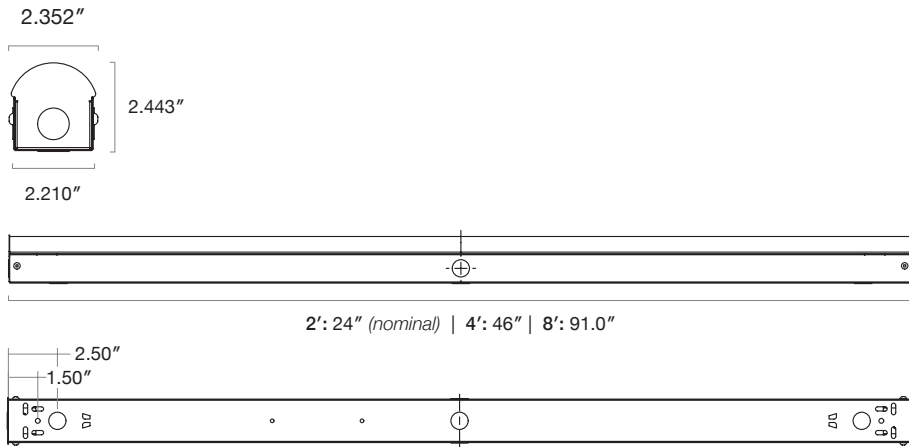
ZONAL LUMEN SUMMARY

Zone	Lumens	% of Fixture
0° - 30°	3781	26%
0° - 60°	10647	73%
0° - 90°	14099	96%
90° - 120°	523	4%
90° - 150°	565	4%
90° - 180°	565	4%
0° - 180°	14665	100%
20° - 50°	6713	46%

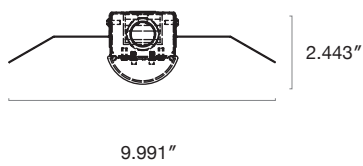
ZONAL LUMEN SUMMARY

Zone	Lumens
0° - 10°	471
10° - 20°	1325
20° - 30°	1986
30° - 40°	2344
40° - 50°	2384
50° - 60°	2138
60° - 70°	1682
70° - 80°	1132
80° - 90°	638
90° - 100°	313
100° - 110°	147
110° - 120°	63
120° - 130°	26
130° - 140°	11
140° - 150°	4
150° - 160°	1
160° - 170°	0
170° - 180°	0

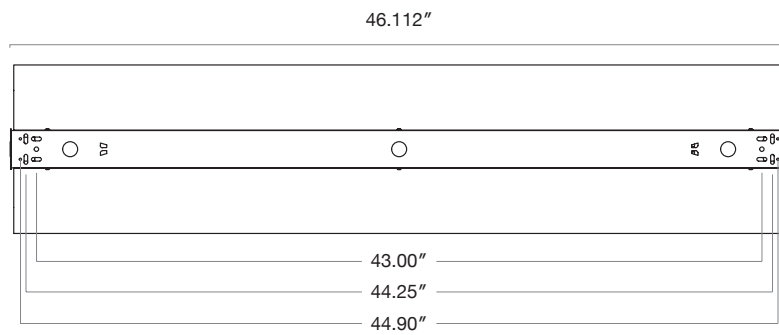
Dimensions



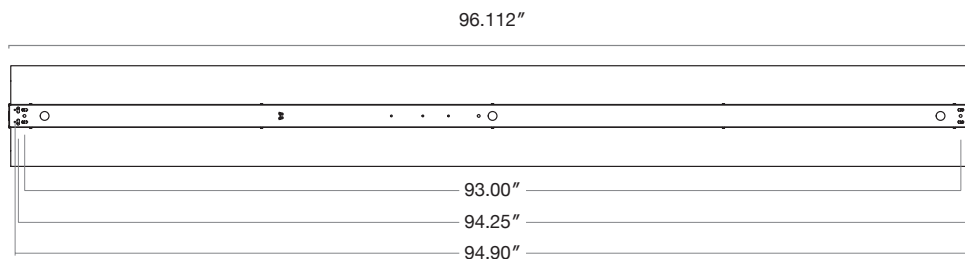
Reflector Option



Zip Eco 4

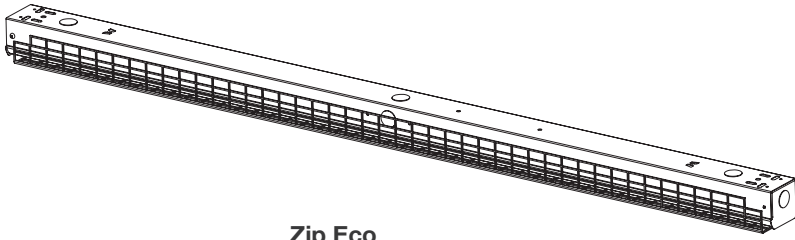


Zip Eco 8



Note: Zip Eco 2 - Please contact factory

Wire Guard Option



Zip Eco
w/ Wire Guard