

Fixture: \_\_\_\_\_ QTY: \_\_\_\_\_ Project : \_\_\_\_\_

# Titan HB C

## High Bay

LED high bay luminaire. Aluminum construction. Polycarbonate protective lens. Dry and damp rated. Driver accessible drawer. Natatorium option available. Commercial, industrial, sporting arenas, and gymnasium applications.

DLC Listed. cULus Listed

Designed and manufactured in North America  
5 Year Warranty



### Ordering Options

Sample Configuration: TITANHB - 120c - 90 - 4K - U - FR - WH - V - BFC - N

Model	Watts	CRI	Color Temp	Voltage	Lens	Finish
TITAN HB	80c	80	3K 3000K	U 120/277V	FR Frosted	WH White
	120c	90	35K 3500K	H 347/480V	CL Clear	CU Custom
	160c		4K 4000K		CLG Clear Glass	-Consult factory for custom finishes
	240c		5K 5000K			
	320c					
	480c					

TITAN HB

#### Mounting

V V Hooks

#### Optional

- JC72** Jack Chain Set 4x72" w/ "S" Hooks Included
- JC96** Jack Chain Set 4x96" w/ "S" Hooks Included
- JC144** Jack Chain Set 4x144" w/ "S" Hooks Included
- ACY120** Aircraft Cable 120" W/Y Toggles & Adjusters
- ACY200** Aircraft Cable 200" W/Y Toggles & Adjusters
- MS1-1/2W** Mounting Stem 1/2" IPS - 7/8" O.D. 1' threaded at both end
- MS2-1/2W** Mounting Stem 1/2" IPS - 7/8" O.D. 2' threaded at both end
- MS3-1/2W** Mounting Stem 1/2" IPS - 7/8" O.D. 3' threaded at both end
- 1/2 NPT** Diecast Mounting Plate with 1/2" NPT
- 3/4 NPT** Diecast Mounting Plate with 3/4" NPT
- IND** Indirect-Uplight mounting bracket (480W model not included)
- T-Grid** T-Grid Kit (contact factory)

#### Wiring

- BFC** Black Flexible Cord
- WFC** White Flexible Cord

#### Accessories

- N** None
- Optional**
- OCC** Occupancy Sensor (on/off)
- WC** Wireless Controls (contact factory)
- BLD** Bi Level Dimming (100%/10%)
- GCC** Gasketed and Conformal Coated
- DA** Dimming Wire Accessible
- 10kV** 10kV Surge Protection

Note: For custom configurations please contact factory. TitanHB Natatorium includes conformal coated boards and gasketing for damp and chlorine environments.

Note: Not all products are qualified on the DLC QPL. To view our DLC qualified products, please consult the DLC qualified products list at [www.designlights.org/qpl](http://www.designlights.org/qpl).

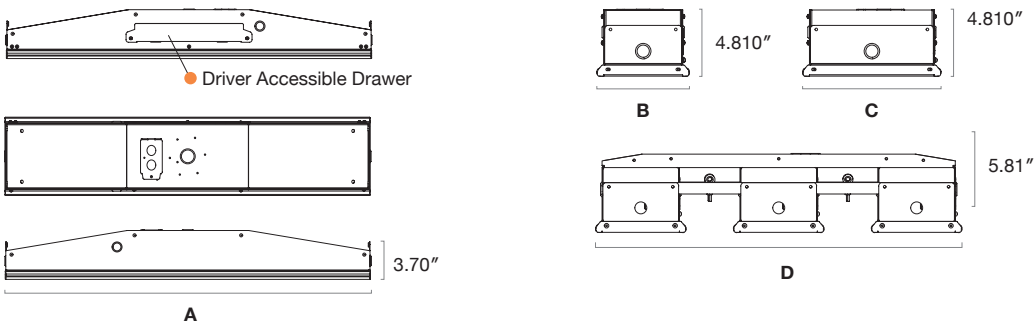
## Features & Specifications

<b>Efficacy:</b>	Up to 154 Lm/W
<b>CRI:</b>	80   90
<b>Color Temperature:</b>	3000K, 3500K, 4000K, 5000K
<b>Lumen Maintenance:</b>	200,000+ Life Hours (L70)
<b>Voltage:</b>	120/277V   347/480V
<b>Operating Temperature:</b>	-25°C to +40°C   -13°F to +104°F -25°C to +55°C   -13°F to +131°C - option available
<b>Controls:</b>	0-10V Dimming
<b>Mounting:</b>	V Hook, Jack Chain, Aircraft Cable, Mounting Stem, Diecast Mounting Plate, Indirect-Uplight Mounting Bracket, T-Grid Kit (contact factory)
<b>Accessories:</b>	Occupancy Sensor (on/off), Wireless Controls, Bi-Level Dimming (100%/10%), 10kV Surge Protection, Dimming Wire, Gasketed and Conformal Coated

## Output Performance

Model	Watts	Lm/W	Delivered Lumens
TitanHB 80c	75.8	114	11,057
TitanHB 120c	111.7	153	17,312
TitanHB 160c	156	146	22,725
TitanHB 240c	223	149	33,346
TitanHB 320c	296	148	43,595
TitanHB 480c	444	154	68,620

## Dimensions



Model	Length A (nominal)	B	C	D
TitanHB 80c	24"	6.65"		
TitanHB 120c	36"	6.65"		
TitanHB 160c	47.5"	6.65"		
TitanHB 240c	36"		12.60"	
TitanHB 320c	47.5"		12.60"	
TitanHB 480c	47.5"			27.22"