

Thinline Outdoor Canopy

Suspended Mounting

Installation Manual

Safety & Warnings:

Failure to follow these instructions and warnings may result in death, serious injury or significant property damage.

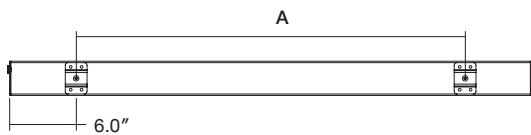


Warning: Risk of Fire and Electrical Shock. Fixture must be installed by a qualified electrician only in accordance with National, Local Building, and Electrical Codes. Disconnect power at the electrical panel before servicing.

General contractor is responsible for the installation of appropriate anchors to support the load of the fixture at positions detailed in the installation manual. Installation of such anchors or other support systems must be completed in accordance with applicable building/installation code.

Mounting Locations

A - Mounting Lengths



| Models | DTL 2 | DTL 3 | DTL 4 | DTL 5 | DTL 6 | DTL 7 | DTL 8 |
|----------------------|--------|--------|--------|--------|--------|--------|--------|
| Mounting Lengths (A) | 11.75" | 23.75" | 35.75" | 47.75" | 59.75" | 71.75" | 83.75" |

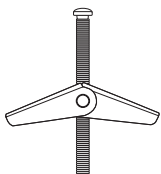
Note: For continuous run refer to approval drawing.

Steps

1.
 - Ensure the power to be connected to the fixture is turned off.
 - Install junction box inside ceiling. Provide sufficient power wiring length to junction box.

2(a). For Drywall Mounting

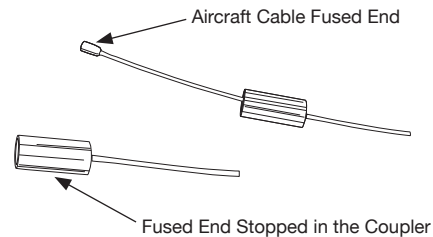
- Install 1/4-20 toggle anchor into drywall surface. Ensure approximately 3/4" of thread protrudes from the drywall surface.



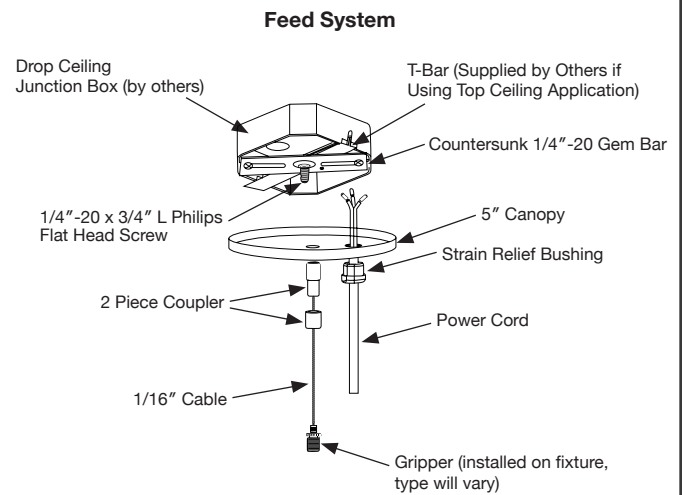
1/4-20 Toggle

For Drywall Mounting - Continued

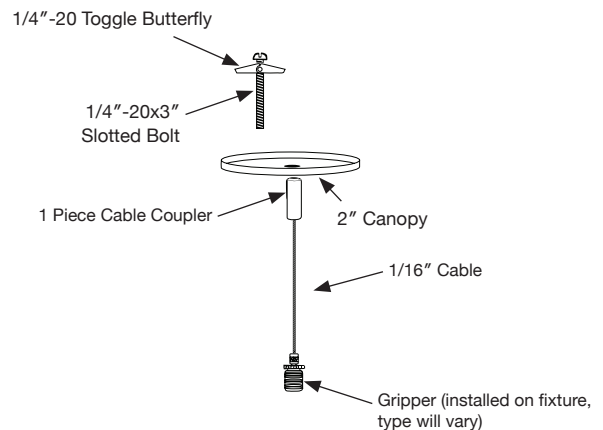
- Insert the aircraft cable open end into the large opening in the coupler and pass the aircraft cable through until fused end stops in the coupler.



3(a). For Aircraft cable. Install aircraft cable support as per below schematic

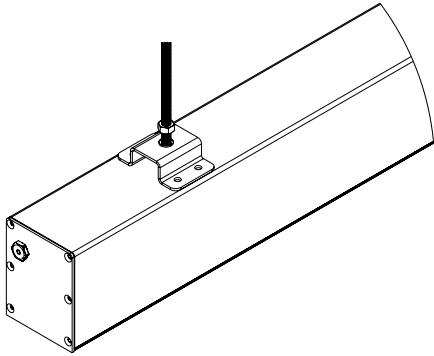


Non Feed System



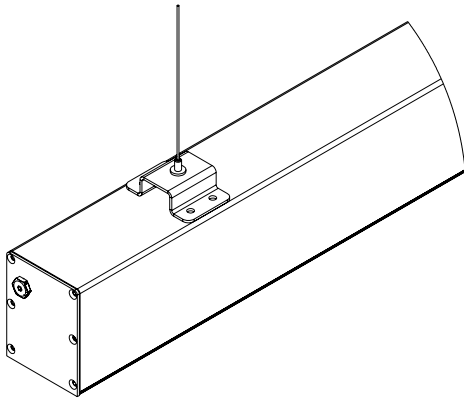
3(b). For Threaded Rod Mounting

- For 5/16" threaded rod mounting - screw 5/16" hex nut onto the threaded rod, install threaded rod into the nut mounted on the fixture, and lower the hex nut toward the fixture to secure the rod in place.
- The mounting of opposite end of the threaded rod to supporting structure is the responsibility of the installer.



4

- Slide the open end of the aircraft cable through the cable gripper as shown below.
- To release the aircraft cable, first support the weight of the fixture, then press the collar of the gripper inward and pull the cable out. Ensure the fixture is level.



5.

- Connect fixture power wire to supply power wires in the junction box, according to applicable national electrical code.
- The outdoor canopy fixtures comes with power through the end caps or at the top depending on the order.

Disclaimer: Outdoor under canopy applications only. Fixture cannot be exposed to outdoor harsh weather elements such as rain or snow, etc.

This document is the exclusive property of delviro energy inc. It is supplied in confidence and must not be used for any purpose other than for which it is supplied.

No disclosure, reproduction or use of any part of the enclosed may be made except by permission from delviro energy inc.

Specifications subject to change without notice.

© delviro energy

delviro.com