

Fixture: _____ QTY: _____ Project : _____

VTs

Vapor Tight



Weather proof luminaire. 4' and 8' length options. Enclosed and gasketed body protects electronics from harsh weather elements. Polycarbonate shatterproof housing with stainless steel latches. Moisture, vapor, chemical resistant, corrosion free, and dust protective. Frosted and clear lens options. NSF available.

cULus Listed
5 Year Warranty



Ordering Options

Sample Configuration: VT4s - 80 - 80 - 4K - U - CL - GRY - AC - BFC - N

Model	Watts	CRI	Color Temp	Voltage	Lens	Finish	Mounting
VT4s	30, 40, 60, 80	80	3K 3000K	U 120/277V	FR Frosted (<i>vt4s model</i>)	GRY Grey	AC Aircraft Cable
VT8s	40, 60, 80, 120	90	35K 3500K 4K 4000K 5K 5000K	H 347V	CL Clear	<i>Optional</i> WH White	V V Hooks

Wiring

BFC Black Flexible Cord
WFC White Flexible Cord

Accessories

N None
Optional
OCC Occupancy Sensor (*on/off*)
BLD Bi-Level Dimming (*100%/10%*)
WBD Waterproof Bi-Level Dimming (*100%/10%*)
WOC Waterproof Occupancy Sensor (*on/off*)
10kV 10kV Surge Protection
EM Emergency Battery

Note: For custom configurations please contact factory

Features & Specifications

Efficacy:	VTs 4: Up to 155 Lm/W VTs 8: Up to 152 Lm/W
CRI:	80, 90
Color Temperature:	3000K, 3500K, 4000K, 5000K
Lumen Maintenance:	200,000+ Life Hours (L70)
Voltage:	120/277V 347V
Operating Temperature:	-40°C to +40°C -40°F to +104°F +55°C +131°F - available
Controls:	Continuous Dimming to 10% or Below
Mounting:	Aircraft Cable, V Hooks
Accessories:	Occupancy Sensor, Waterproof Occupancy Sensor, Bi-Level Dimming, Waterproof Bi-Level Dimming, 10kV Surge Protection, Emergency Battery

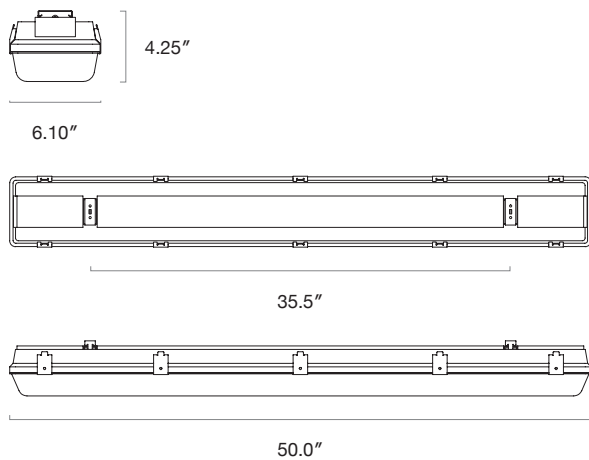
Output Performance

Model	Watts	Lm/W	Delivered Lumens
VT4s 30	29.4	155	4,650
VT4s 40	39.5	152	6,080
VT4s 60	59.6	150	9,000
VT4s 80	83.9	139	12,501

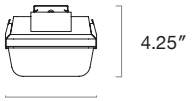
Model	Watts	Lm/W	Delivered Lumens
VT8s 40	37	150	5,550
VT8s 60	56	148	8,288
VT8s 80	79	152	12,160
VT8s 120	115	150	18,000

Dimensions

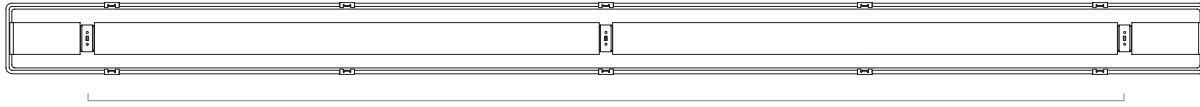
VT4s



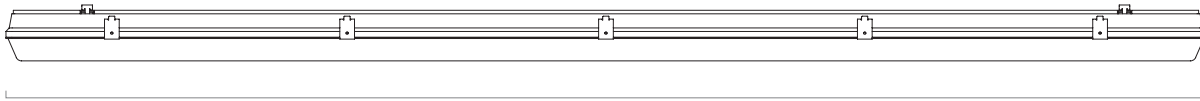
VT8s



6.10"



87.5"



102.0"