

Fixture: \_\_\_\_\_ QTY: \_\_\_\_\_ Project : \_\_\_\_\_

# Thinline U 135

Suspended Direct | Direct/Indirect

Architectural luminaire. 135° U Shaped fixture. Pendant mounting.  
 Direct and direct-indirect distribution options. Available in 2 sizes.  
 2.25" wide. Multiple finishes available.

cULus Listed

 Designed and manufactured in North America  
 5 Year Warranty


## Performance

4000K - 120 Lm/W | 3500K - 116 Lm/W | 3000K - 112 Lm/W



## Ordering Options

**Sample Configuration:** DTL U 135 - 4FT x 2FT - D 500 - I 500 - 90 - 4K - U - FR - FR - WH - AC - DIMOFF - N - 2 - N - 5 WIRE - CL - 6 - WH

Model	Size	Direct Lm/ft	Indirect Lm/ft	CRI	Color Temp	Voltage	Direct Lens
DTL U 135	4FT x 2FT	D 250	I 250	80	27K 2700K	U 120/277V	FR Frosted Flat
	6FT x 3FT	D 500	I 500	90	3K 3000K	H 347V	FRREG Frosted Regressed
		D 750	I 750		35K 3500K		
		D 1000	I 1000		4K 4000K		
		D _____ <i>(custom up to 1200)</i>	I _____ <i>(custom up to 1200)</i>		5K 5000K		
<i>-Custom Sizes Available - Please Consult Factory</i>							
DTL U 135	<input type="text"/>	<input type="text"/>	<input type="text"/>	<input type="text"/>	<input type="text"/>	<input type="text"/>	<input type="text"/>

Indirect Lens	Finish	Mounting	Driver	Controls
FR Frosted	WH White	AC Aircraft Cable	DIMOFF 0-10V DIMOFF	N None
BATWING Batwing	BLK Black	10' Standard	<i>Optional</i>	<i>Optional</i>
	GRY Grey		DALI	DMX
<i>Indirect Lens: Minimum size 4FT x 2FT</i>	CU Custom		LUTRON Lutron Ecosystem	SNS Philips SNS 300 w/BLD & Daylight
	<i>- Contact factory for custom finishes</i>		SR Philips SR	CLM Encelium CLM
			ELDO .1% ELDO (347 only 1-10 5%)	LG LG Dongle
				BT Bluetooth Mesh
				EN Enlighted Integral
<input type="text"/>	<input type="text"/>	AC	<input type="text"/>	<input type="text"/>

Circuits	Accessories	Wiring	Wire Color	Wire Length	Canopy Color
1 1 Circuit	N None	5 WIRE 5 Wire(std)	CL Clear	Length(Ft)	WH White
2 2 Circuits	<i>Optional</i>	<i>Optional</i>	<i>Optional</i>	- 6Ft Standard	BLK Black
	10kV 10kV Surge Protection	N 5 Leads	B Black		CU Custom
	EM Emergency Battery	6 WIRE 6 Wire - Cable (EM - emergency battery option)	W White		<i>- Consult factory for custom finishes</i>
	+GTD Generator Transfer Device				
<input type="text"/>	<input type="text"/>	<input type="text"/>	<input type="text"/>	<input type="text"/>	<input type="text"/>

**LED**

L90>70,000

Samsung 301 3-Step MacAdam Binning

4000K 120 Lm/W

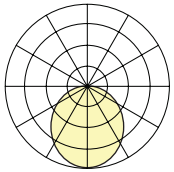
3500K 98%

3000K 96%

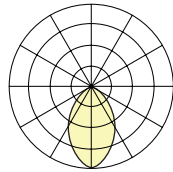
90 CRI 85%

**Lens Options - Direct Distribution**

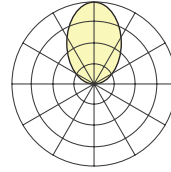
**Lens Options - Indirect Distribution**



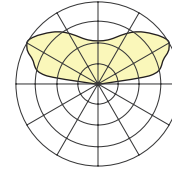
Standard  
Frosted Flat



Frosted  
0.25" Regressed

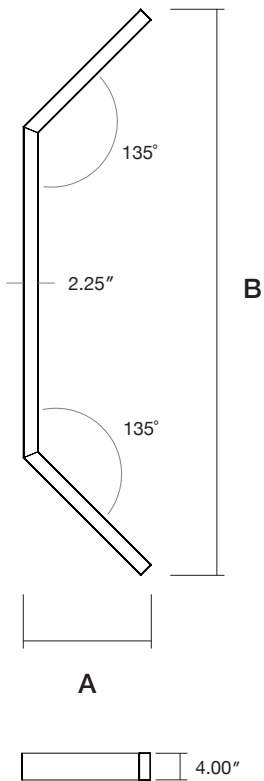


Standard  
Frosted



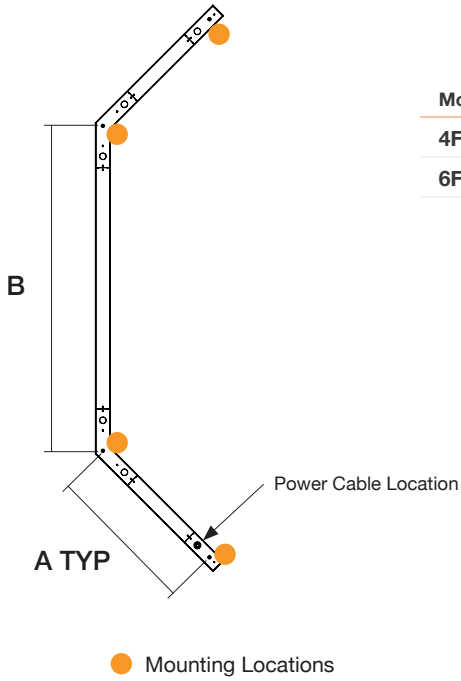
Batwing

**Dimensions**



Model	A	B
4FT x 2FT	19.1"	84.5"
6FT x 3FT	27.6"	125.5"

Mounting



Model	A	B
4FT x 2FT	22.5"	48.5"
6FT x 3FT	34.5"	72.5"

Finish Options

Standard Finishes



Grey  
RAL 7046  
Sandtex



White  
RAL 9003  
Sandtex



Black  
RAL 9004  
Sandtex

Custom Finishes



Orange  
RAL 2009  
Sandtex



Green  
RAL 6010  
Sandtex



Blue  
RAL 5012  
Sandtex



Yellow  
RAL 1037  
Sandtex

Additional finishes - Please contact factory