

# Thinline

## Wall Mount

Installation Manual | Models: 2.25, 3.18, 4.5

### Safety & Warnings:

Failure to follow these instructions and warnings may result in death, serious injury or significant property damage.



**Warning: Risk of Fire and Electrical Shock. Fixture must be installed by a qualified electrician only in accordance with National, Local Building, and Electrical Codes. Disconnect power at the electrical panel before servicing.**

General contractor is responsible for the installation of appropriate anchors to support the load of the fixture at positions detailed in the installation manual. Installation of such anchors or other support systems must be completed in accordance with applicable building/installation code.

### Steps

1.
  - Ensure the power to be connected to the fixture is turned off.
2.
  - The pre-assembled wall mount brackets are made up of two components: one is fixed to the fixture frame, and the other is to be secured to the wall prior to mounting.
3.
  - Remove the alignment screw from the top of the wall mount bracket (FIG.1). Fixtures 6ft in length or longer have an additional wall mount bracket located at the center of the fixture. Remove the wall mount bracket to be fastened to the wall.

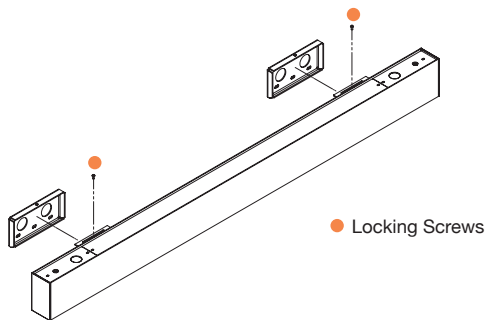
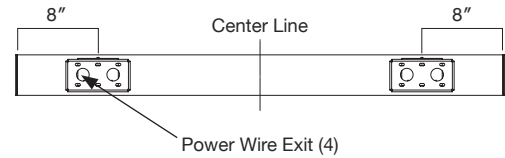


Fig. 1

4.
  - Remove the wall mount bracket to be fastened to the wall.

Model	Mounting Reference
DTL 2	Centerline
DTL 3	
DTL 4	8" From Fixture Ends
DTL 5	
DTL 6	Centerline & 8" From Fixture Ends
DTL 7	
DTL 8	



**Note:** Each mounting bracket has three sets of mounting holes spaced by 2" to be used as required (Fig. 2). Use at least 3 holes to fasten brackets to the wall. Ensure brackets are level.

5.
  - Connect the power wires from the fixture through the wall mounting bracket to the main power supply according to national electrical code.

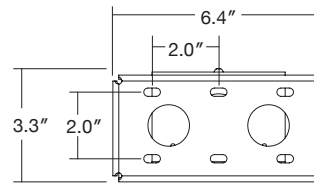


Fig. 2

6.
  - Lift and drop the fixture onto the wall-mounted brackets (Fig.3). The fixture brackets will sit atop the wall-mounted brackets. The fixture can slide approx. 1 inch in each direction for positioning.

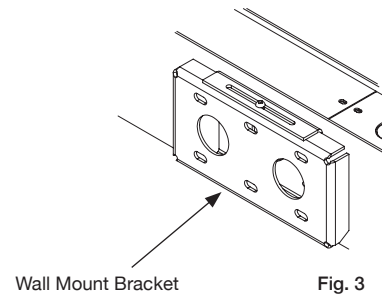


Fig. 3

7.
  - Secure fixture to the wall mounted brackets using the previously removed locking screw.
8.
  - Turn on fixture.

This document is the exclusive property of delviro energy inc. It is supplied in confidence and must not be used for any purpose other than for which it is supplied.

No disclosure, reproduction or use of any part of the enclosed may be made except by permission from delviro energy inc.

Specifications subject to change without notice.

© delviro energy