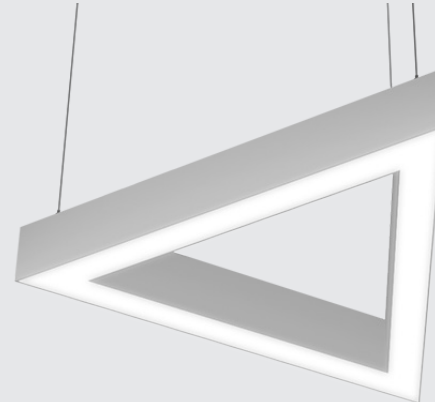


Fixture: \_\_\_\_\_ QTY: \_\_\_\_\_ Project : \_\_\_\_\_

# Thinline Triangle Suspended

Direct | Direct-Indirect

Architectural luminaire. Triangular shaped design. Pendant mounting.  
Direct and Direct-Indirect distribution options. 3 standards sizes.  
Additional sizes available. 2.25" wide.  
Multiple finishes.  
cULus Listed  
Designed and manufactured in North America.  
5 Year Warranty.



## Performance

4000K - 120 Lm/W | 3500K - 116 Lm/W | 3000K - 112 Lm/W



## Ordering Options

Sample Configuration: DTL TRI - 3 x 2FT - D 500 - I 500 - 90 - 4K - U - FR - FR - WH - AC - DIMOFF - N - 2 - N - 5 WIRE - CL - 6 - WH

Model	Size	Direct Lm/ft	Indirect Lm/ft	CRI	Color Temp	Voltage	Direct Lens
DTL TRI	3 x 2FT	D 250	I 250	80	27K 2700K	U 120/277V	FR Frosted Flat
	3 x 3FT	D 500	I 500	90	3K 3000K	H 347V	FRREG Frosted Regressed
	3 x 4FT	D 750	I 750		35K 3500K		
		D 1000	I 1000		4K 4000K		
	-Custom Sizes Available - Please Consult Factory	D _____ (custom up to 1200)	I _____ (custom up to 1200)		5K 5000K		
DTL TRI	<input type="text"/>	<input type="text"/>	<input type="text"/>	<input type="text"/>	<input type="text"/>	<input type="text"/>	<input type="text"/>

Indirect Lens	Finish	Mounting	Driver	Controls
FR Frosted BATWING Batwing	WH White BLK Black GRY Grey CU Custom	AC Aircraft Cable 10' Std	DIMOFF 0-10V DIMOFF <i>Optional</i> DALI LUTRON SR ELDO Lutron Ecosystem Philips SR .1% ELDO (347 only 1-10 5%)	N None <i>Optional</i> DMX SNS Philips SNS 300 w/BLD & Daylight CLM Encelium CLM LG LG Dongle BT Bluetooth Mesh EN Enlighted Integral
<i>Indirect Lens: Minimum size 3FT x 2FT</i>				
<i>- Contact factory for custom finishes</i>				
<input type="text"/>	<input type="text"/>	AC	<input type="text"/>	<input type="text"/>

Circuits	Accessories	Wiring	Wire Color	Wire Length	Canopy Color
1 1 Circuit 2 2 Circuits	N None <i>Optional</i> 10kV 10kV Surge Protection EM Emergency Battery +GTD Generator Transfer Device	5 WIRE 5 Wire (std) <i>Optional</i> N 5 Leads 6 WIRE 6 Wire - Cable (EM - emergency battery option)	CL Clear <i>Optional</i> B Black W White	Length(Ft) - 6Ft Standard	WH White BLK Black CU Custom  <i>- Consult factory for custom finishes</i>
<input type="text"/>	<input type="text"/>	<input type="text"/>	<input type="text"/>	<input type="text"/>	<input type="text"/>

**LED**

L90>70,000

Samsung 301 2 McAdam Binning

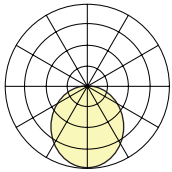
4000K 120 Lm/W

3500K 98%

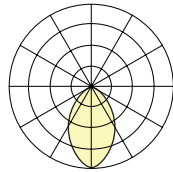
3000K 96%

90 CRI 85%

**Lens Options - Direct Distribution**

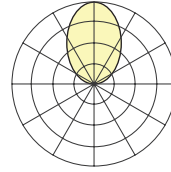


Standard  
Frosted Flat

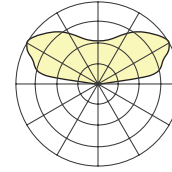


Frosted  
0.25" Regressed

**Lens Options - Indirect Distribution**

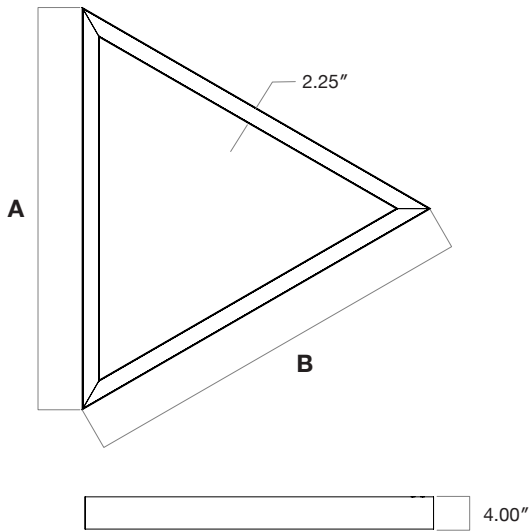


Standard  
Frosted



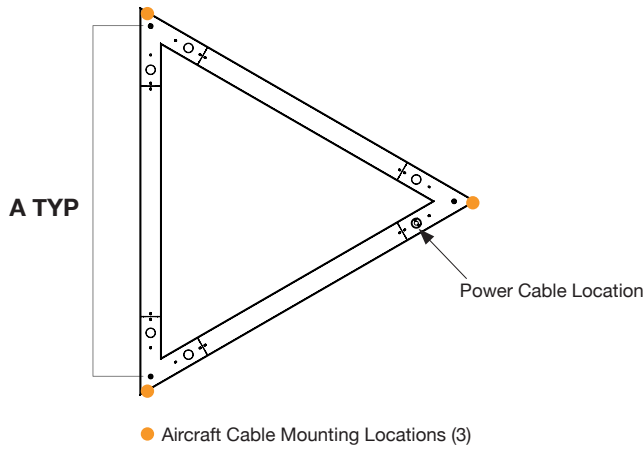
Batwing

**Dimensions**



Model	A	B
3 x 2FT	28.4"	28.4"
3 x 3FT	40.4"	40.4"
3 x 4FT	52.4"	52.4"

Mounting



Model	A
2 x 2FT	24.5"
3 x 3FT	36.5"
4 x 4FT	48.5"

Finish Options

Standard Finishes



Grey  
RAL 7046  
Sandtex



White  
RAL 9003  
Sandtex



Black  
RAL 9004  
Sandtex

Custom Finishes



Orange  
RAL 2009  
Sandtex



Green  
RAL 6010  
Sandtex



Blue  
RAL 5012  
Sandtex



Yellow  
RAL 1037  
Sandtex

Additional finishes - Please contact factory