



Date: \_\_\_\_\_ Fixture: \_\_\_\_\_

QTY: \_\_\_\_\_ Project: \_\_\_\_\_



## TitanHB C Commercial High Bay

LED high bay luminaire. Aluminum construction. Polycarbonate protective lens. Dry and Damp rated. Driver accessible drawer. Natatorium option available. Commercial, industrial, sporting arenas, and gymnasium applications.

DLC Listed. cULus Listed  
Designed and manufactured in North America.  
5 Year Warranty.

### Ordering Options

Model	Watts	CRI	Color Temp	Voltage	Lens	Finish	Mounting
TITANHB	<b>c80</b>	<b>80</b>	<b>3K</b> 3000K	<b>U</b> 120/277V	<b>FR</b> Frosted	<b>WH</b> White	<b>V</b> V Hook
	<b>c120</b>	<b>90</b>	<b>35K</b> 3500K	<b>H</b> 347/480V	<b>CL</b> Clear	<b>CU</b> Custom - <i>please consult factory</i>	<b>JC72</b> Jack Chain Set 4x72" w/ "S" Hooks Included
	<b>c160</b>		<b>4K</b> 4000K		<b>CLG</b> Clear Glass		<b>JC96</b> Jack Chain Set 4x96" w/ "S" Hooks Included
	<b>c240</b>		<b>5K</b> 5000K				<b>JC144</b> Jack Chain Set 4x144" w/ "S" Hooks Included
	<b>c320</b>						<b>ACY120</b> Aircraft Cable 120" W/Y Toggles & Adjusters
<b>c480</b>						<b>ACY200</b> Aircraft Cable 200" W/Y Toggles & Adjusters	
TITANHB							

#### Mounting Cont.

<b>MS1-1/2W</b>	Mounting Stem 1/2" IPS (7/8" O.D.) 1' threaded at both end
<b>MS2-1/2W</b>	Mounting Stem 1/2" IPS (7/8" O.D.) 2' threaded at both end
<b>MS3-1/2W</b>	Mounting Stem 1/2" IPS (7/8" O.D.) 3' threaded at both end
<b>1/2 NPT</b>	Diecast Mounting Plate with 1/2" NPT
<b>3/4 NPT</b>	Diecast Mounting Plate with 3/4" NPT
<b>IND</b>	Indirect-Uplight mounting bracket (480W <i>model not included</i> )
<b>T-Grid</b>	T-Grid Kit ( <i>contact factory</i> )

#### Wiring

<b>BFC</b>	Black Flexible Cord
<b>WFC</b>	White Flexible Cord

#### Accessories

<b>N</b>	None
<b>OCC</b>	Occupancy Sensor (on/off)
<b>WC</b>	Wireless Controls - <i>contact factory</i>
<b>BLD</b>	Bi Level Dimming (100%/10%)
<b>GCC</b>	Gasketed and Conformal Coated
<b>DA</b>	Dimming Wire Accessible
<b>10kV</b>	10kV Surge Protection
<b>EM</b>	Emergency Battery

Sample Configuration: TITANHB - c120 - 90 - 4K - U - FR - WH - V - BFC - OCC

**Note:** TitanHB Natatorium includes conformal coated boards and gasketing for damp and chlorine environments.  
For custom configurations please contact factory

Note: Not all products are qualified on the DLC QPL. To view our DLC qualified products, please consult the DLC qualified products list at [www.designlights.org/qpl](http://www.designlights.org/qpl).

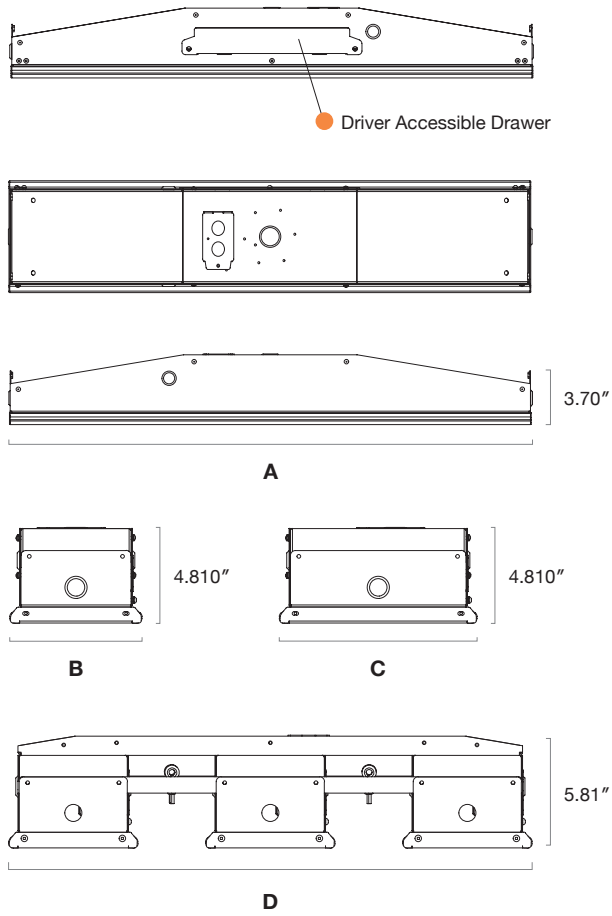
## Product Specifications

<b>Efficacy:</b>	Up to 154 Lm/W
<b>CRI:</b>	80   90
<b>Color Temperature:</b>	3000K, 3500K, 4000K, 5000K
<b>Lumen Maintenance:</b>	200,000+ Life Hours (L70)
<b>Voltage:</b>	120/277V   347/480V
<b>Operating Temperature:</b>	-25°C to +40°C   -13°F to +104°F -25°C to +55°C   -13°F to +131°C - option available
<b>Controls:</b>	0-10V Dimming
<b>Mounting:</b>	V Hook, Jack Chain, Aircraft Cable, Mounting Stem, Diecast Mounting Plate, Indirect-Uplight Mounting Bracket, T-Grid Kit (contact factory)
<b>Accessories:</b>	Occupancy Sensor (on/off), Wireless Controls, Bi-Level Dimming (100%/10%), 10kV Surge Protection, Dimming Wire, Gasketed and Conformal Coated, Emergency Battery

## Output Performance

Model	Watts	Lm/W	Delivered Lumens
TitanHBc 80	75.8	114	11,057
TitanHBc 120	111.7	153	17,312
TitanHBc 160	156	146	22,725
TitanHBc 240	223	149	33,346
TitanHBc 320	296	148	43,595
TitanHBc 480	444	154	68,620

**Dimensions**



Model	Nominal Length A	Width B	Width C	Width D
TitanHBc 80	24"	6.65"		
TitanHBc 120	36"	6.65"		
TitanHBc 160	47.5"	6.65"		
TitanHBc 240	36"		12.60"	
TitanHBc 320	47.5"		12.60"	
TitanHBc 480	47.5"			27.22"