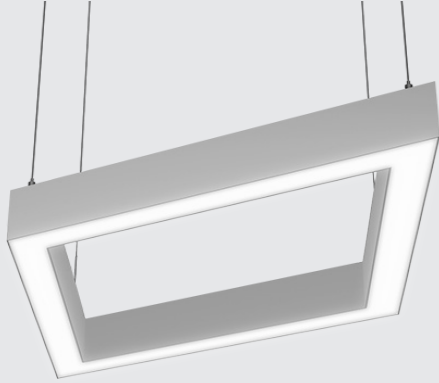




Date: _____ Fixture: _____

QTY: _____ Project: _____



Thinline Diamond

Suspended Direct | Direct-Indirect

Architectural luminaire. Diamond shaped design. Pendant mounting. Direct and Direct-Indirect distribution options. 3 standards sizes. Additional sizes available. 2.25" wide. Multiple finishes. cULus Listed.

Designed and manufactured in North America. 5 Year Warranty.

Ordering Options

Model	Size	Direct Lm/ft	Indirect Lm/ft	CRI	Color Temp	Voltage	Direct Lens
DTL DMND	2FT x 2FT	D 250	I 250	80	27K 2700K	U 120/277V	FR Frosted
	3FT x 3FT	D 500	I 500	90	3K 3000K	H 347V	FRREG Frosted Regressed
	4FT x 4FT	D 750	I 750		35K 3500K		
		D 1000	I 1000		4K 4000K		
	Custom Sizes Available - Please Consult Factory	D _____ (custom up to 1200)	I _____ (custom up to 1200)		5K 5000K		

DTL DMND									
Indirect Lens	Finish	Mounting	Driver	Controls	Circuits				
FR Frosted	GRY Grey	AC Aircraft Cable	DIMOFF 0-10 1% DIMOFF	N None	1	1 Circuit			
BATWING Batwing	WH White	10' Std	LUTRON SR Lutron Ecosystem	DMX	2	2 Circuits			
	BLK Black		DALI Philips SR	SNS Philips SNS 300 w/BLD & Daylight					
<i>Indirect Lens: Minimum size 2FT x 2FT</i>	CU Custom		ELDO .1% ELDO (347 only 1-10 5%)	CLM Encelium CLM					
				LG LG Dongle					
				BT Bluetooth Mesh					
				EN Enlighted Integral					

		AC					
Accessories	Wiring	Wire Color	Wire Length	Canopy Color			
N None	N None	G Grey	_____ FT (6FT Standard)	WH White			
10kV 10kV Surge Protection	BFC3 3 Wire Cord Black	W White		BLK Black			
EMBAT 6W 90 Min Battery	WFC3 3 Wire Cord White	B Black		CU Custom			
	IN3 3 Wire Internal	C Clear					
	IN5 5 Wire Internal						
	CFC Architectural Cable - 5 Wire						
	BFC5 5 Wire Cord Black						
	WFC5 5 Wire Cord White						

Sample: DTL DMND - 2FT x 2FT - D 500 - I 500 - 90 - 4K - U - FR - GRY - AC - DIMOFF - N - 1 - N - N - G - 6 - WH

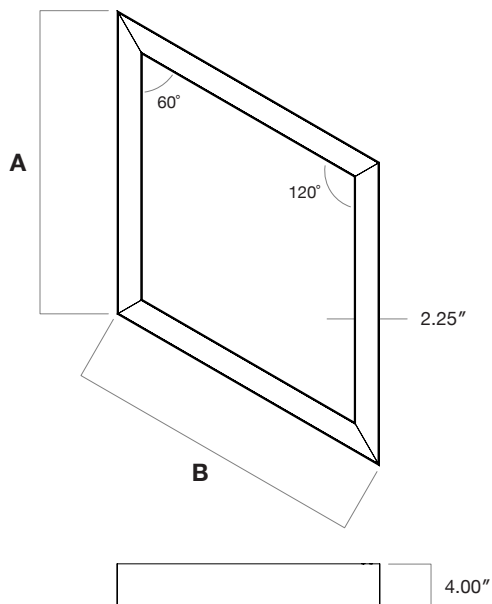
LED

L90 > 70,000
 Samsung 301 3 McAdam Binning
 4000K 120 Lm/W
 3500K 98%
 3000K 96%
 90 CRI 85%

Performance

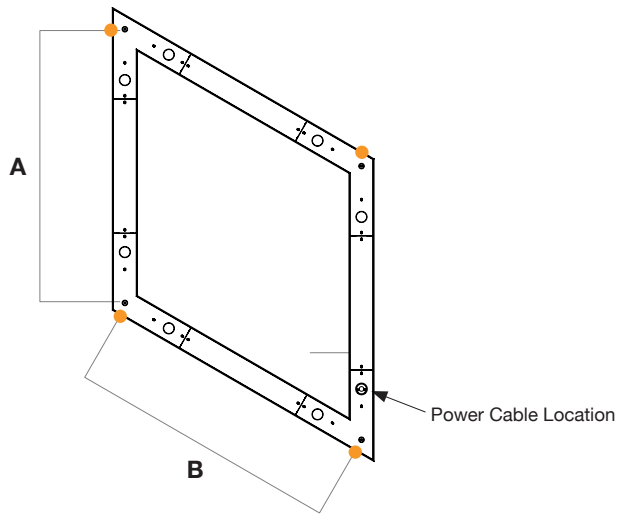
Model	Lm/W
4000K	120 Lm/W
3500K	116 Lm/W
3000K	112 Lm/W

Dimensions



MODEL	A	B
2FT x 2FT	27.1"	27.1"
3FT x 3FT	39.1"	39.1"
4FT x 4FT	51.1"	51.1"

Mounting



MODEL	A	B
2FT x 2FT	24.5"	24.5"
3FT x 3FT	36.5"	36.5"
4FT x 4FT	48.5"	48.5"

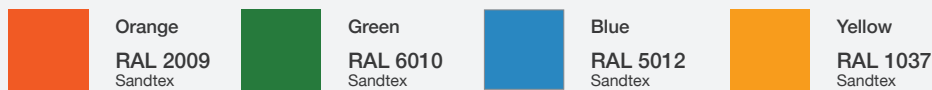
● Aircraft Cable Mounting Locations (4)

Finish Options

Standard Finishes



Custom Finishes



Additional finishes - Please contact factory