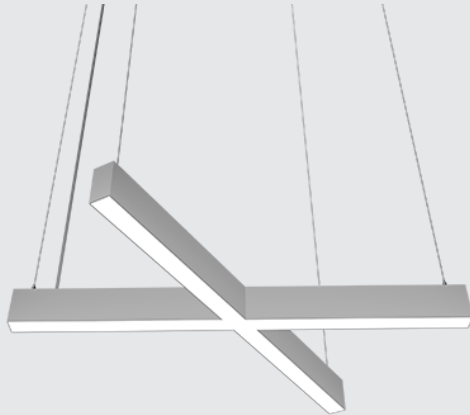




Date: \_\_\_\_\_ Fixture: \_\_\_\_\_

QTY: \_\_\_\_\_ Project: \_\_\_\_\_



# Thinline X 60

## Suspended Direct-Indirect

Architectural luminaire. 60° X Shaped light fixture. Pendant mounting. Direct-Indirect distribution. Available in 3 sizes. 2.25" wide. Multiple finishes. Designed and manufactured in North America. 10 Year Warranty.



### Ordering Options

Model	Size	Direct Lm/ft	Indirect Lm/ft	CRI	Color Temp	Voltage	Direct Lens
DTL X 60	4 x 2FT	D 250	I 250	80	27K 2700K	U 120/277V	FR Frosted
	4 x 3FT	D 500	I 500	90	3K 3000K	H 347V	FRREG Frosted Regressed
	4 x 4FT	D 750	I 750		35K 3500K		
		D 1000	I 1000		4K 4000K		
		D _____	I _____		5K 5000K		
	Custom Sizes Available - Please Consult Factory	(custom up to 1200)	(custom up to 1200)				

### DTL X 60

Indirect Lens	Finish	Mounting	Driver	Controls	Circuits
<b>FR</b> Frosted	<b>GRY</b> Grey	<b>AC</b> Aircraft Cable	<b>DIMOFF</b> 0-10 1% DIMOFF	<b>N</b> None	<b>1</b> 1 Circuit
<b>BATWING</b> Batwing	<b>WH</b> White	10' Std	<b>LUTRON</b> Lutron Ecosystem	<b>DMX</b>	<b>2</b> 2 Circuits
	<b>BLK</b> Black		<b>SR</b> Philips SR	<b>SNS</b> Philips SNS 300 w/BLD & Daylight	
<i>Indirect Lens: Minimum size 4FT x 2FT</i>	<b>CU</b> Custom		<b>DALI</b>	<b>CLM</b> Encelium CLM	
			<b>ELDO</b> .1% ELDO (347 only 1-10 5%)	<b>LG</b> LG Dongle	
				<b>BT</b> Bluetooth Mesh	
				<b>EN</b> Enlighted Integral	

### AC

Accessories	Wiring	Wire Color	Wire Length	Canopy Color
<b>N</b> None	<b>N</b> None	<b>G</b> Grey	_____ FT (6FT Standard)	<b>WH</b> White
<b>10kV</b> 10kV Surge Protection	<b>BFC3</b> 3 Wire Cord Black	<b>W</b> White		<b>BLK</b> Black
<b>EMBAT</b> 6W 90 Min Battery	<b>WFC3</b> 3 Wire Cord White	<b>B</b> Black		<b>CU</b> Custom
	<b>IN3</b> 3 Wire Internal	<b>C</b> Clear		
	<b>IN5</b> 5 Wire Internal			
	<b>CFC</b> Architectural Cable - 5 Wire			
	<b>BFC5</b> 5 Wire Cord Black			
	<b>WFC5</b> 5 Wire Cord White			

Sample: DTL X 60 - 4FT x 2FT - D 500 - I 500 - 90 - 4K - U - FR - GRY - AC - DIMOFF - N - 1 - N - N - G - 6 - WH

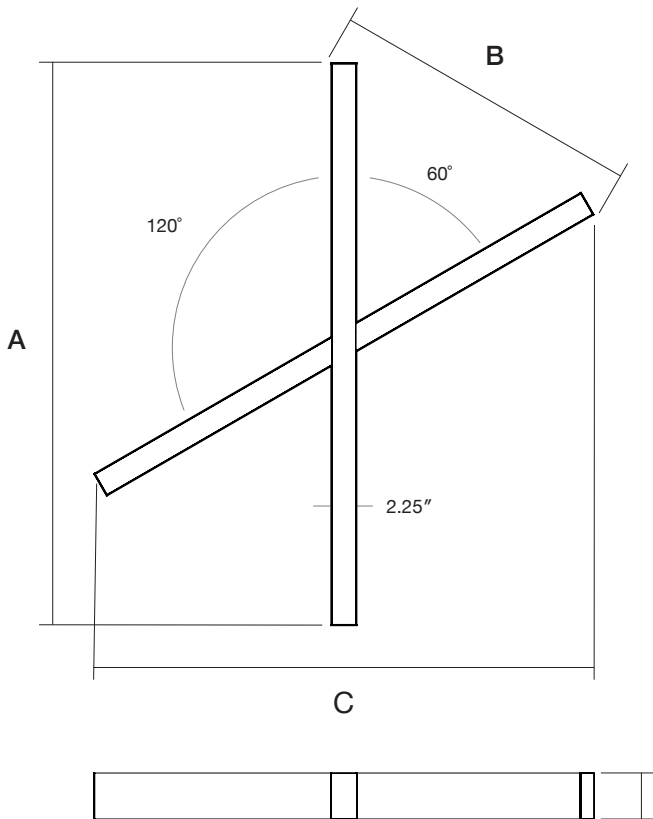
**LED**

L90 > 70,000  
 Samsung 301 3 McAdam Binning  
 4000K 120 Lm/W  
 3500K 98%  
 3000K 96%  
 90 CRI 85%

**Performance**

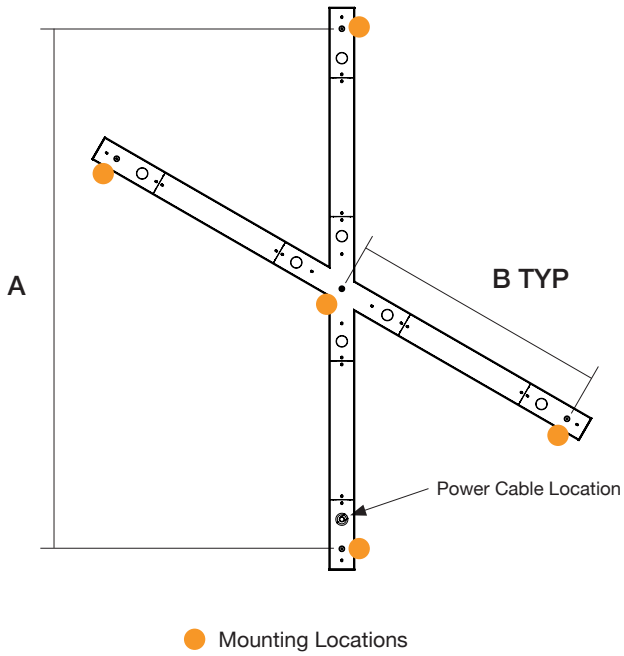
Model	Lm/W
<b>4000K</b>	120 Lm/W
<b>3500K</b>	116 Lm/W
<b>3000K</b>	112 Lm/W

**Dimensions**



MODEL	A	B	C
<b>4 x 2FT</b>	48.71"	26.27"	43.28"
<b>4 x 3FT</b>	72.71"	38.27"	64.06"
<b>4 x 4FT</b>	96.71"	50.27"	84.85"

### Mounting



MODEL	A	B
4 x 2FT	45.00"	22.50"
4 x 3FT	69.00"	34.50"
4 x 4FT	93.00"	46.50"

### Finish Options

#### Standard Finishes



**Grey**  
 RAL 7046  
 Sandtex

**White**  
 RAL 9003  
 Sandtex

**Black**  
 RAL 9004  
 Sandtex

#### Custom Finishes



**Orange**  
 RAL 2009  
 Sandtex

**Blue**  
 RAL 5012  
 Sandtex

**Yellow**  
 RAL 1037  
 Sandtex

**Green**  
 RAL 6010  
 Sandtex

Additional finishes - Please contact factory