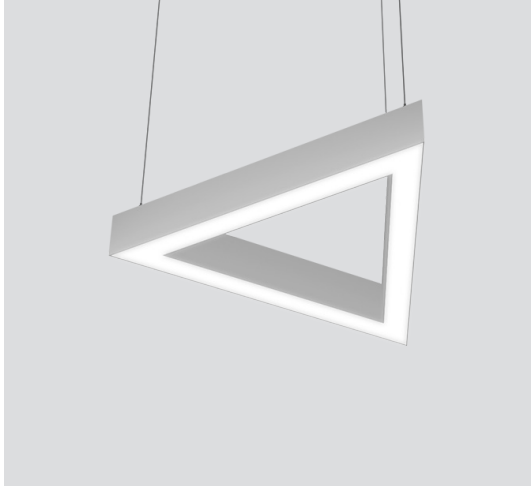




DATE: FIXTURE:
 QTY: PROJECT:



Thinline Triangle

Suspended Direct

Architectural luminaire. Triangular shaped design. Pendant mounting. 3 size options. 2.25" wide. Multiple finishes. Designed and manufactured in North America. 10 Year Warranty.

Performance

Model	Lm/W
4000K	120 Lm/W
3500K	116 Lm/W
3000K	112 Lm/W

Ordering Options

Model	Size	Direct Lumens/ft	CRI	Color Temp	Voltage	Lens
DTL TRI	3FT x 2FT 3FT x 3FT 3FT x 4FT Custom Sizes Available - Please Consult Factory	D 250 D 500 D 750 D 1000 D _____ (custom up to 1200)	80 90	27K 2700K 3K 3000K 35K 3500K 4K 4000K 5K 5000K	U 120/277V H 347V	FR Frosted FRREG Frosted Regressed .5 FR DROP .5" Frosted Drop Lens 1.5 FR DROP 1.5" Frosted Drop Lens LVR Louver Lens
DTL TRI	<input type="text"/>	<input type="text"/>	<input type="text"/>	<input type="text"/>	<input type="text"/>	<input type="text"/>

Finish	Mounting	Driver	Controls	Circuits
GRY Grey WH White BLK Black CU Custom	AC Aircraft Cable 10Ft Std	DIMOFF 0-10 1% DIMOFF LUTRON Lutron Ecosystem SR Philips SR DALI ELDO .1% ELDO (347 only 1-10 5%)	N None DMX SNS Philips SNS 300 w/BLD & Daylight CLM Encelium CLM LG LG Dongle BT Bluetooth Mesh EN Enlighted Integral	1 1 Circuit
<input type="text"/>	AC	<input type="text"/>	<input type="text"/>	1

Accessories	Wiring	Wire Color	Wire Length	Canopy Color
N None 10kV 10kV Surge Protection EMBAT 6W 90 Min Battery	N None 5 WIRE 5 Wire 6 WIRE(NL) 6 Wire +GTD Generator Transfer Device	G Grey W White B Black C Clear	_____ FT (6FT Standard)	WH White BLK Black CU Custom
<input type="text"/>	<input type="text"/>	<input type="text"/>	<input type="text"/>	<input type="text"/>

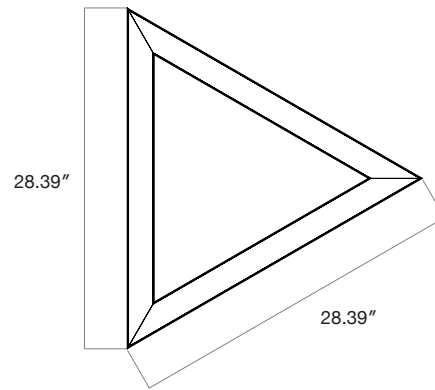
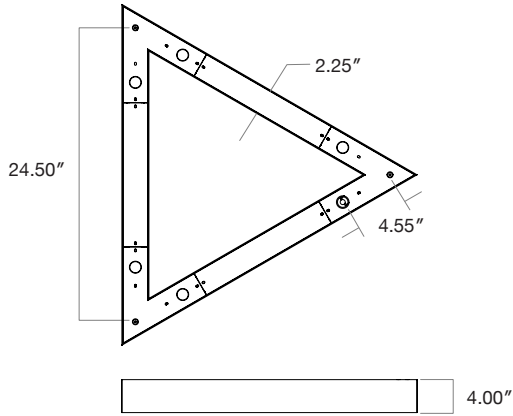
Sample: DTL TRI - 3FT x 2FT - D500 - 90 - 4K - U - FR - GRY - AC - DIMOFF - N - 1 - N - N - G - 6 - WH

LED

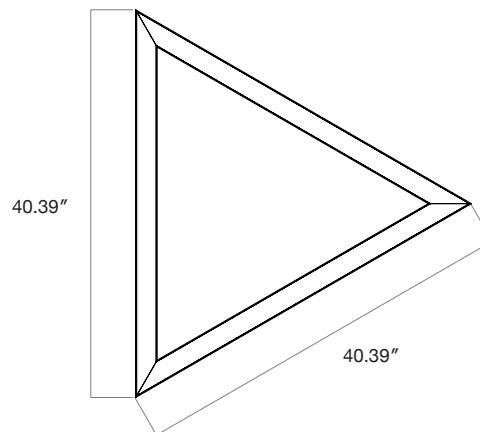
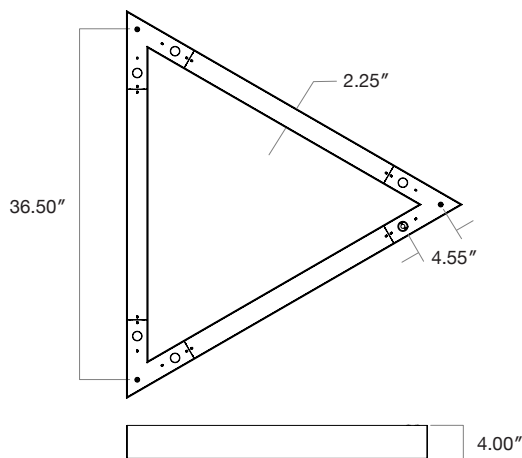
L90 > 70,000
 Samsung 301 3 McAdam Binning
 4000K 120 Lm/W
 3500K 98%
 3000K 96%
 90 CRI 85%

Measurements

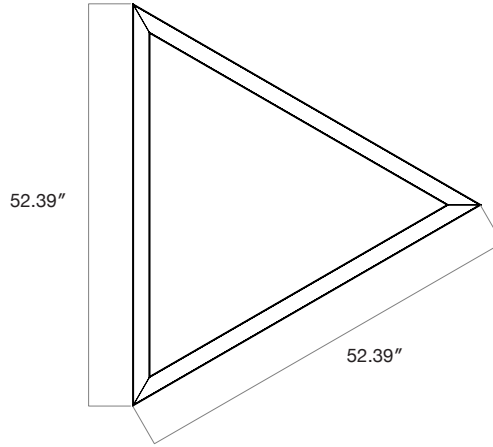
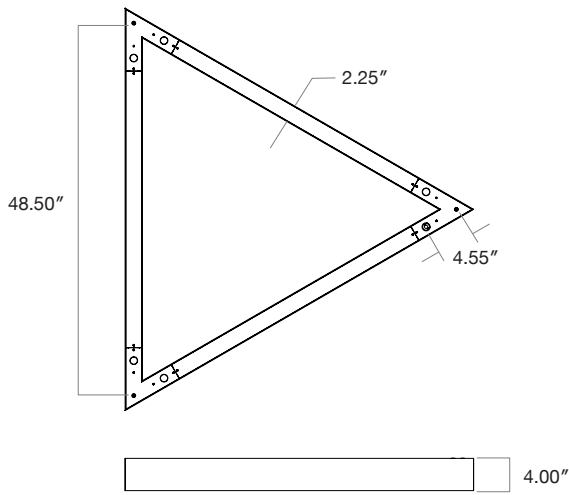
3FT x 2FT



3FT x 3FT

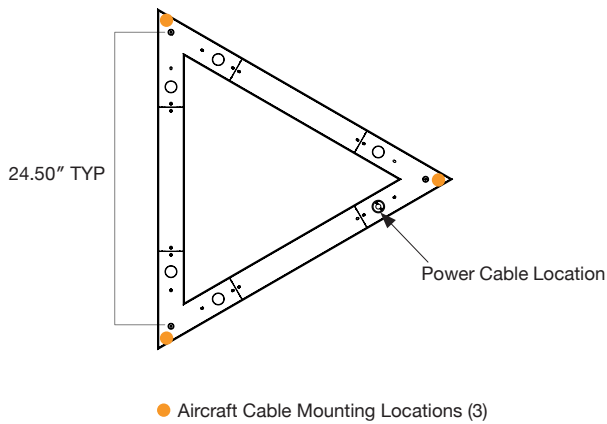


3FT x 4FT

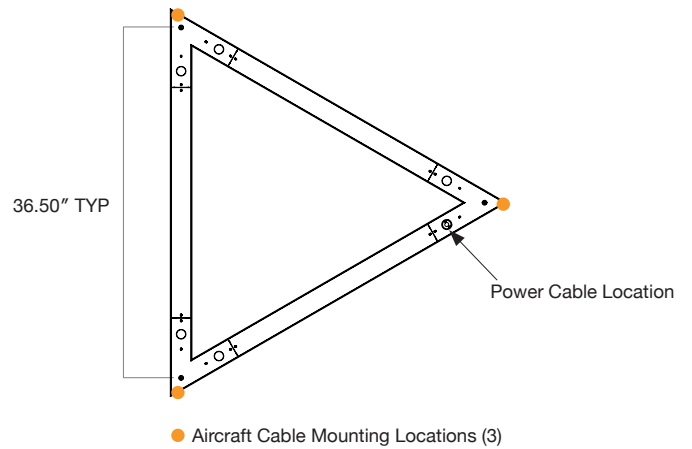


Mounting

3FT x 2FT

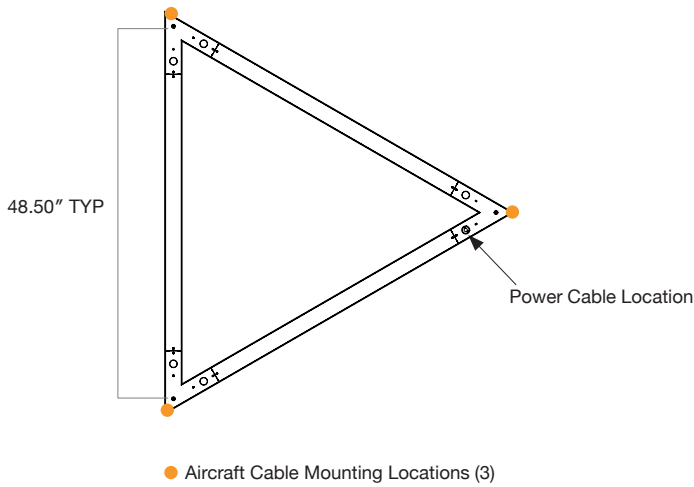


3FT x 3FT



Mounting

3FT x 4FT



Finish Options

Standard Finishes



Grey
RAL 7046
Sandtex



White
RAL 9003
Sandtex



Black
RAL 9004
Sandtex

Custom Finishes



Orange
RAL 2009
Sandtex



Blue
RAL 5012
Sandtex



Yellow
RAL 1037
Sandtex



Green
RAL 6010
Sandtex

Additional finishes - Please contact factory