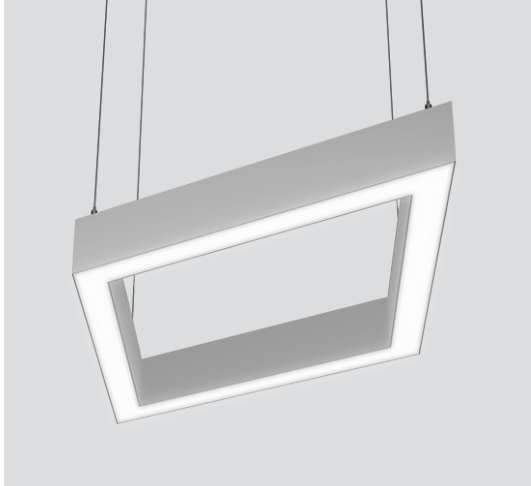




DATE:  FIXTURE:   
 QTY:  PROJECT:



## Thinline Diamond

### Suspended Direct

Architectural luminaire. Diamond shaped design. Pendant mounting. Available in 3 sizes. 2.25" wide. Multiple finishes. Designed and manufactured in North America. 10 Year Warranty.

#### Performance

Model	Lm/W
4000K	120 Lm/W
3500K	116 Lm/W
3000K	112 Lm/W

### Ordering Options

Model	Size	Direct Lumens/ft	CRI	Color Temp	Voltage	Lens
<b>DTL DMND</b>	<b>2FT x 2FT</b> <b>3FT x 3FT</b> <b>4FT x 4FT</b>  Custom Sizes Available - Please Consult Factory	<b>D 250</b> <b>D 500</b> <b>D 750</b> <b>D 1000</b> <b>D _____</b> (custom up to 1200)	<b>80</b> <b>90</b>	<b>27K</b> 2700K <b>3K</b> 3000K <b>35K</b> 3500K <b>4K</b> 4000K <b>5K</b> 5000K	<b>U</b> 120/277V <b>H</b> 347V	<b>FR</b> Frosted <b>FRREG</b> Frosted Regressed <b>.5 FR DROP</b> .5" Frosted Drop Lens <b>1.5 FR DROP</b> 1.5" Frosted Drop Lens <b>LVR</b> Louver Lens
<b>DTL DMND</b>	<input type="text"/>	<input type="text"/>	<input type="text"/>	<input type="text"/>	<input type="text"/>	<input type="text"/>

Finish	Mounting	Driver	Controls	Circuits
<b>GRY</b> Grey <b>WH</b> White <b>BLK</b> Black <b>CU</b> Custom	<b>AC</b> Aircraft Cable 10Ft Std	<b>DIMOFF</b> 0-10 1% DIMOFF <b>LUTRON</b> Lutron Ecosystem <b>SR</b> Philips SR <b>DALI</b> <b>ELDO</b> .1% ELDO (347 only 1-10 5%)	<b>N</b> None <b>DMX</b> <b>SNS</b> Philips SNS 300 w/BLD & Daylight <b>CLM</b> Encelium CLM <b>LG</b> LG Dongle <b>BT</b> Bluetooth Mesh <b>EN</b> Enlighted Integral	<b>1</b> 1 Circuit
<input type="text"/>	<b>AC</b>	<input type="text"/>	<input type="text"/>	<b>1</b>

Accessories	Wiring	Wire Color	Wire Length	Canopy Color
<b>N</b> None <b>10kV</b> 10kV Surge Protection <b>EMBAT</b> 6W 90 Min Battery	<b>N</b> None <b>5 WIRE</b> 5 Wire <b>6 WIRE(NL)</b> 6 Wire <b>+GTD</b> Generator Transfer Device	<b>G</b> Grey <b>W</b> White <b>B</b> Black <b>C</b> Clear	<b>_____ FT</b> (6FT Standard)	<b>WH</b> White <b>BLK</b> Black <b>CU</b> Custom
<input type="text"/>	<input type="text"/>	<input type="text"/>	<input type="text"/>	<input type="text"/>

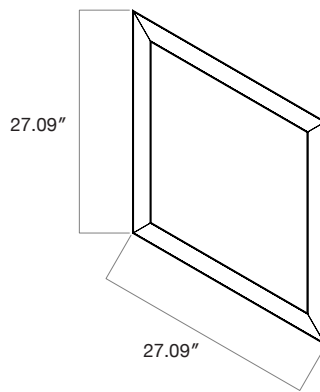
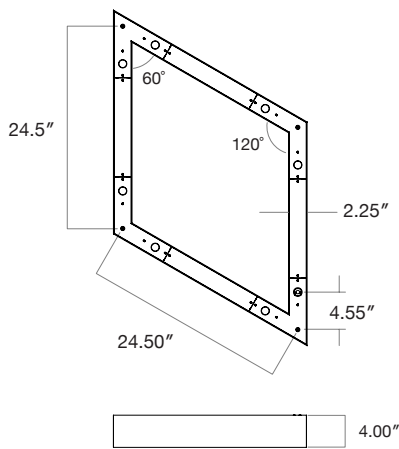
Sample: DTL DMND - 2FT x 2FT - D500 - 90 - 4K - U - FR - GRY - AC - DIMOFF - N - 1 - N - N - G - 6 - WH

**LED**

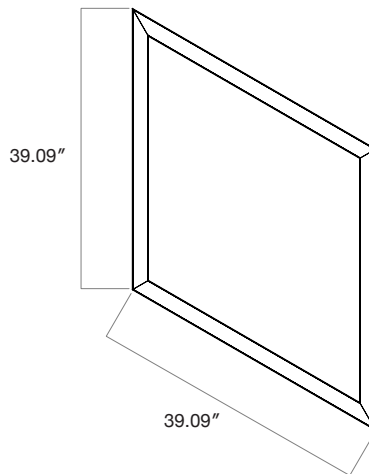
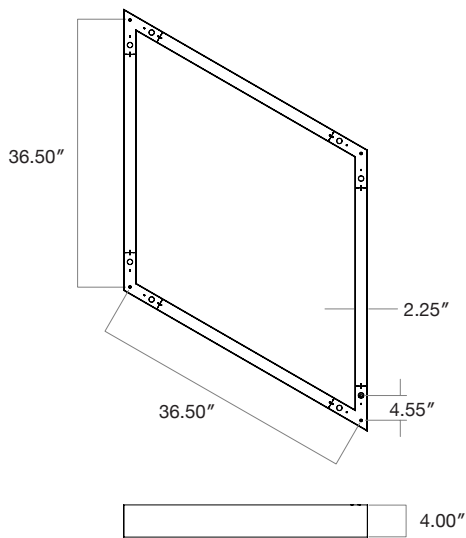
L90 > 70,000  
 Samsung 301 3 McAdam Binning  
 4000K 120 Lm/W  
 3500K 98%  
 3000K 96%  
 90 CRI 85%

**Measurements**

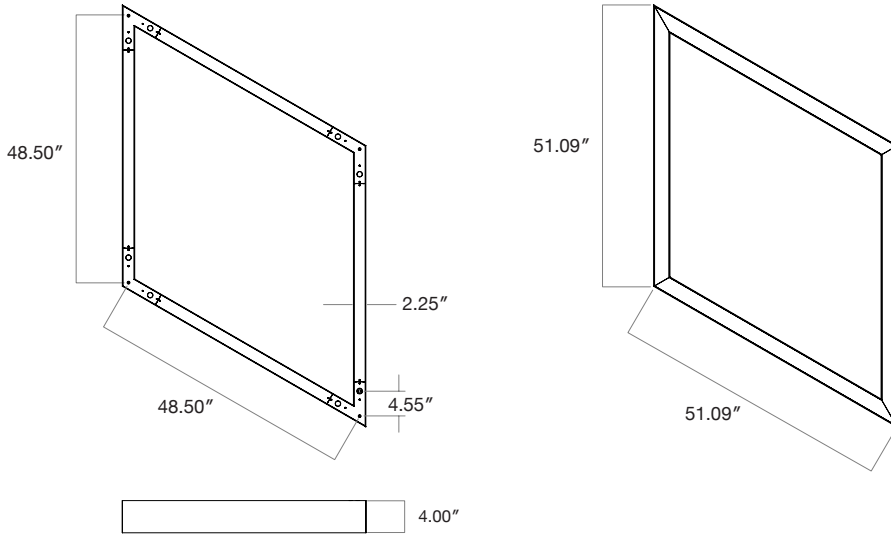
**2FT x 2FT**



**3FT x 3FT**

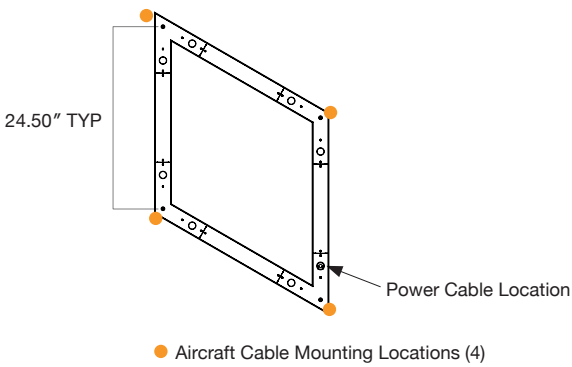


4FT x 4FT

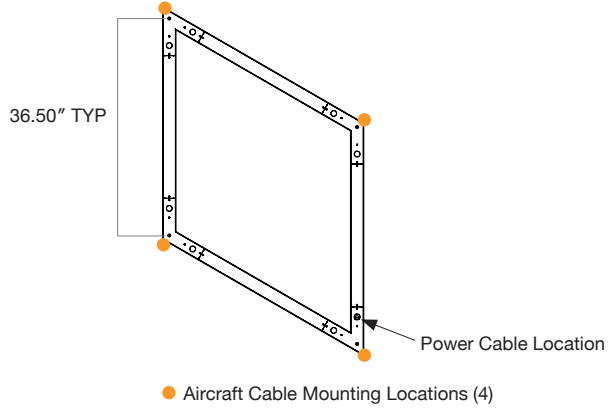


Mounting

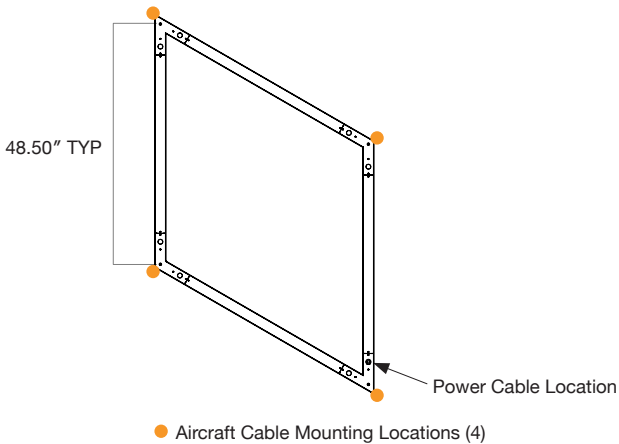
2FT x 2FT



3FT x 3FT



4FT x 4FT



## Finish Options

### Standard Finishes



Grey

White

Black

RAL 7046  
Sandtex

RAL 9003  
Sandtex

RAL 9004  
Sandtex

### Custom Finishes



Orange

Blue

Yellow

Green

RAL 2009  
Sandtex

RAL 5012  
Sandtex

RAL 1037  
Sandtex

RAL 6010  
Sandtex

Additional finishes - *Please contact factory*