

Thinline Flat

Suspended Mounting

Installation Manual

Safety & Warnings:

Failure to follow these instructions and warnings may result in death, serious injury or significant property damage.



Warning: Risk of Fire and Electrical Shock. Fixture must be installed by a qualified electrician only in accordance with National, Local Building, and Electrical Codes. Disconnect power at the electrical panel before servicing.

General contractor is responsible for the installation of appropriate anchors to support the load of the fixture at positions detailed in the installation manual. Installation of such anchors or other support systems must be completed in accordance with applicable building/installation code.

Note:

Suspension mounting locations are positioned 1.5 inches inward, from each edge of the fixture.

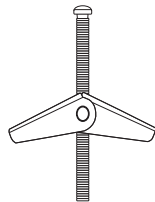
additional suspension mounting locations are present at the center of any continuous run joints.

Steps

1.
 - Ensure the power to be connected to the fixture is turned off.
 - Install junction box inside ceiling. Provide sufficient power wiring length to junction box.

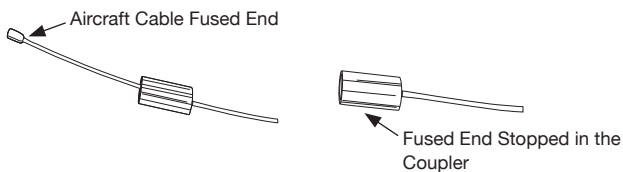
2(a). For Drywall Mounting

- Install 1/4-20 toggle anchor into drywall surface. Ensure approximately 3/4" of thread protrudes from the drywall surface.



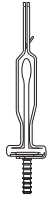
1/4-20 Toggle

- Insert the aircraft cable open end into the large opening in the coupler and pass the aircraft cable through until fused end stops in the coupler.

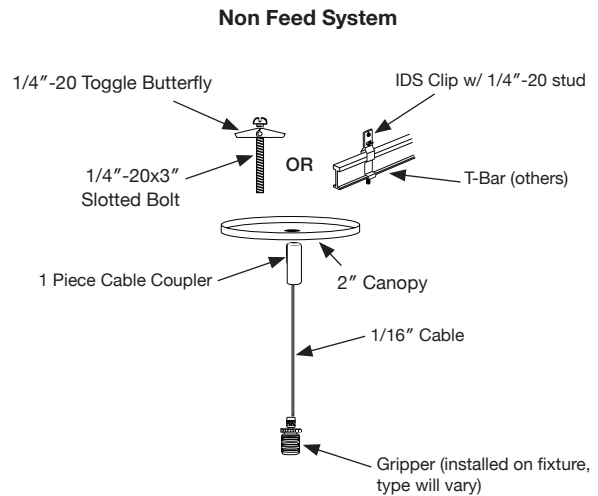
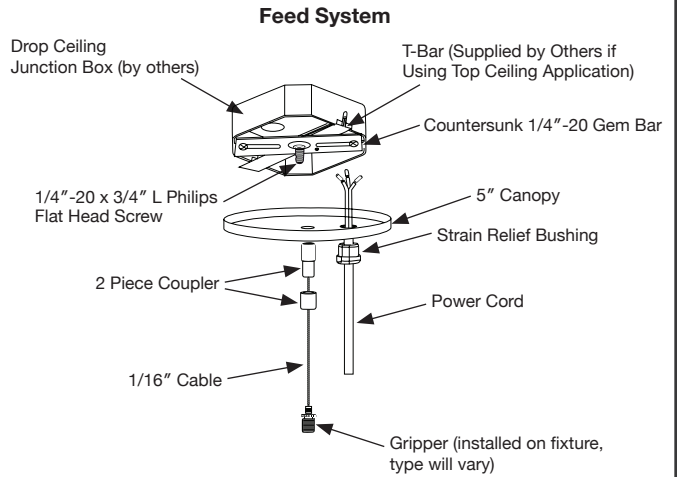


2(b). For T-Grid Mounting

- Install appropriate caddy clip onto tbar structure with provided 1/4-20 bolt.

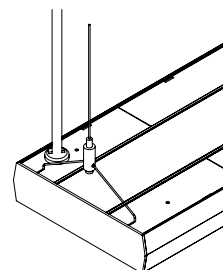


3. Install aircraft cable support as per below schematic



4

- Slide the open end of the aircraft cable through the cable gripper as shown below.
- To release the aircraft cable, first support the weight of the fixture, then press the collar of the gripper inward and pull the cable out. Ensure the fixture is level.

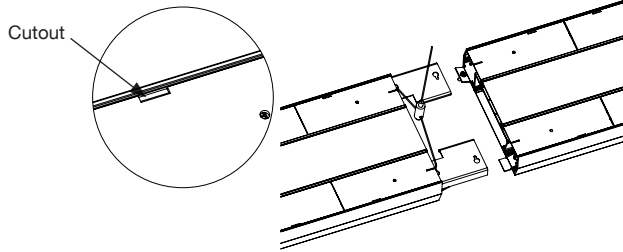


If Continuous Run

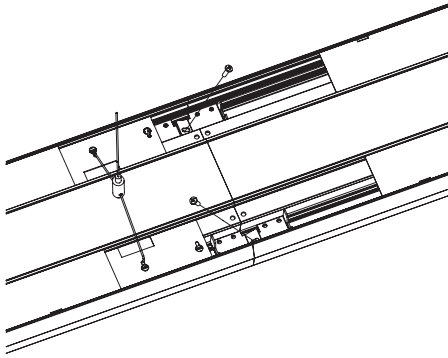
- Locate the cutouts in the TOP PLATES shown below, and insert a flat screwdriver or equivalent to pry the top plates from the frame on each side of the continuous run joint.

Note:

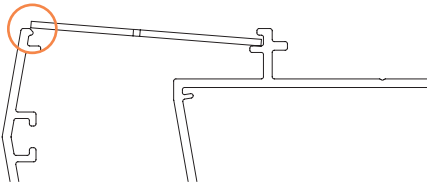
- this action does not require a lot of force.
- Set the top plates aside for later re-installation.



- Slide the suspension brackets over to one side of the continuous run joint.
- Manually join the two fixtures and secure the joining brackets together (on opposite sides) using the provided #8-32 screws.



- Slide the suspension brackets to the middle of the fixture joint.
- Replace the top plates as follows:
 - Locate the side of the frame with the chamfered edge (circled below).
 - Insert the top plate into the opposite side and then snap into the frame at the chamfered edge.



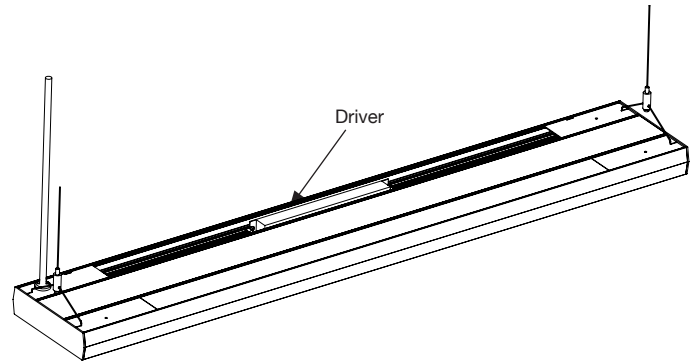
5.

- Connect fixture power wire to supply power wires in the junction box, according to applicable national electrical code.

6.

Note:

- In the case of an applicable repair or replacement of the fixture, the LED driver is located underneath the middle top plate, as shown below. Remove plate as per the "If Continuous Run" section.



This document is the exclusive property of delviro energy inc. It is supplied in confidence and must not be used for any purpose other than for which it is supplied.

No disclosure, reproduction or use of any part of the enclosed may be made except by permission from delviro energy inc.

Specifications subject to change without notice.

© delviro energy

delviro.com