



Thinline 4.5

Recessed Trim

Installation Instructions

PREPARE

SAFETY

NOTE:

Follow the Electrical Codes of the Country where this fixture will be installed. For Canada follow the Canadian Electrical Code (CE) and for the United States follow the National Electrical Code (NEC). Failure to follow these instructions could result in electric shock or damage property. All wiring should also be performed by a qualified electrician. Check with local electrical authority for installation compliance regulations. Due to variations in roofing materials use these installation instructions as a guideline only.



Risk of Fire or electric shock. This luminaire installation requires knowledge of luminaires electrical systems. If not qualified, do not attempt installation. Contact a qualified electrician.

Install this kit only in luminaires that have the construction features and dimensions shown in the photographs and/or drawings and where the input rating of the retrofit kit does not exceed the input rating of the luminaire.

Based on maximum voltage restrictions for class 2 recruits in Canadian Electrical Code, the output cannot be accessible. This product has accessible output terminals. This product complies with the requirements since the installation instruction requires installation in Restricted Access Area.

To prevent wiring damage or abrasion, do not expose wiring to edges of sheet metal or other sharp objects. This luminaire has been modified to operate LED lamps. Do not attempt to install or operate ANY OTHER LIGHT SOURCE* other than LED lamps in this luminaire, where "*" represents the luminaire's original light source (ie: "Fluorescent," etc.).

THIS DEVICE IS NOT INTENDED FOR USE WITH EMERGENCY EXITS.

SUITABLE FOR DAMP LOCATIONS

- Always connect the grounding lead to fixture, where applicable.
- Do not install in a raceway or a luminaire marked for through branch wiring.
- LED lamp replacement marking - identifying the replacement LED lamp type/model to be used along with the manufacturer and ordering information.

WARNING

WARNING FAILURE TO FOLLOW THESE INSTRUCTIONS AND WARNINGS MAY RESULT IN DEATH, SERIOUS INJURY OF SIGNIFICANT PROPERTY DAMAGE

For your protection, carefully read these warnings and instructions in their entirety before installing or maintaining this equipment. These instructions do not attempt to cover all installation and maintenance situations. If you do not understand these instructions or if additional information is required, contact delviro energy customer service department: 1.877.502.3434.

WARNING: This fixture must be installed by a qualified electrician in accordance with any NEC, CEC, state, and/or local code requirements. This retrofit kit is not for use with all fixture bodies.

WARNING: Risk of fire or electric shock. Installation required knowledge of luminaire electrical systems. If not qualified, do not attempt installation. Contact a qualified electrician.

WARNING: Risk of fire or electric shock. Never connect to, disconnect from or service while circuit equipment is energized.

WARNING: Risk of fire or electric shock. Luminaires wiring, power supply, or other electrical parts may be damaged when drilling for installation of retrofit assembly hardware. Inspect wiring and components for damage.

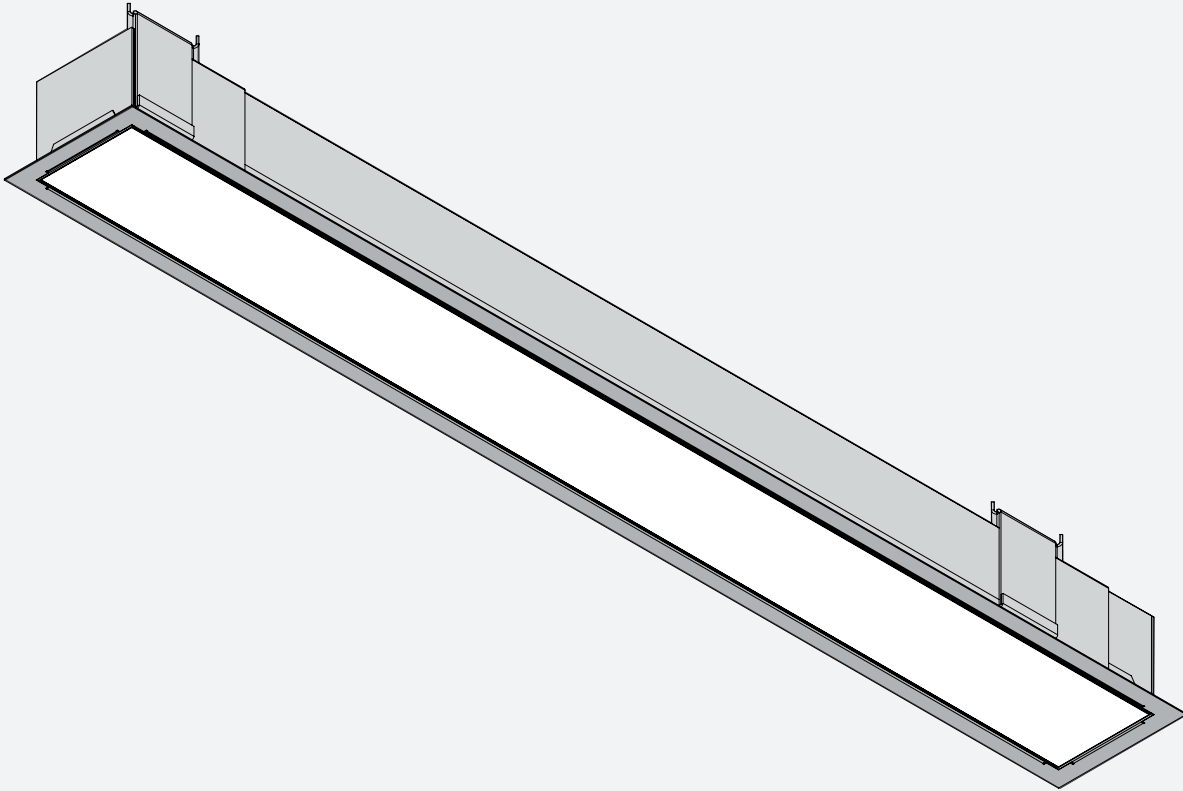
WARNING: Risk of personal injury. This equipment may have sharp edges. Wear gloves to prevent cuts or abrasions when removing from carton, handling and maintaining this equipment
Do not install in a damaged fixture:

- This equipment must be installed in accordance with all federal, state and local laws, regulations and codes.
- Proper grounding is required to ensure personal safety.
- All service shall be performed by qualified service personnel.
- This equipment must be installed and modified in accordance with all federal, state, and local laws. Regulations and codes by a professional who is familiar with the construction and operation of this product and any hazards involved.

NOTICE: Do not install with total power input greater than power rating of original fixture.

WARNING: To prevent wiring damage or abrasion, do not expose wiring to edges of sheet metal of other sharp objects.

WARNING: Only those open holes indicated in the photographs and/or drawings may be made or altered as a result of kit installation. Do not leave any other open holes in an enclosure of wiring or electrical components.



Thinline 4.5

Recessed Trim

Recessed Trim

Installation

This document is the exclusive property of delviro energy inc. It is supplied in confidence and must not be used for any purpose other than for which it is supplied. No disclosure, reproduction or use of any part of the enclosed may be made except by permission from delviro energy inc.

Specifications subject to change without notice

Pre-Assembly

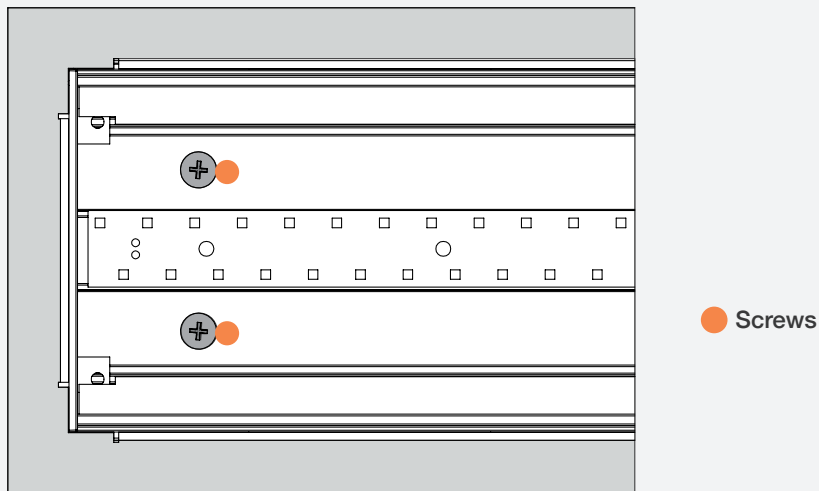
Prepare the drywall cutout according to the below table.

Stand Alone Fixture Length	Drywall Cutout Measurements
2'	5.2" x 24.5"
3'	5.2" x 36.5"
4'	5.2" x 48.5"
5'	5.2" x 60.5"
6'	5.2" x 72.5"
7'	5.2" x 84.5"
8'	5.2" x 96.5"

Note: For continuous run assemblies, the drywall cutout length is equal to the total fixture length plus 0.5".

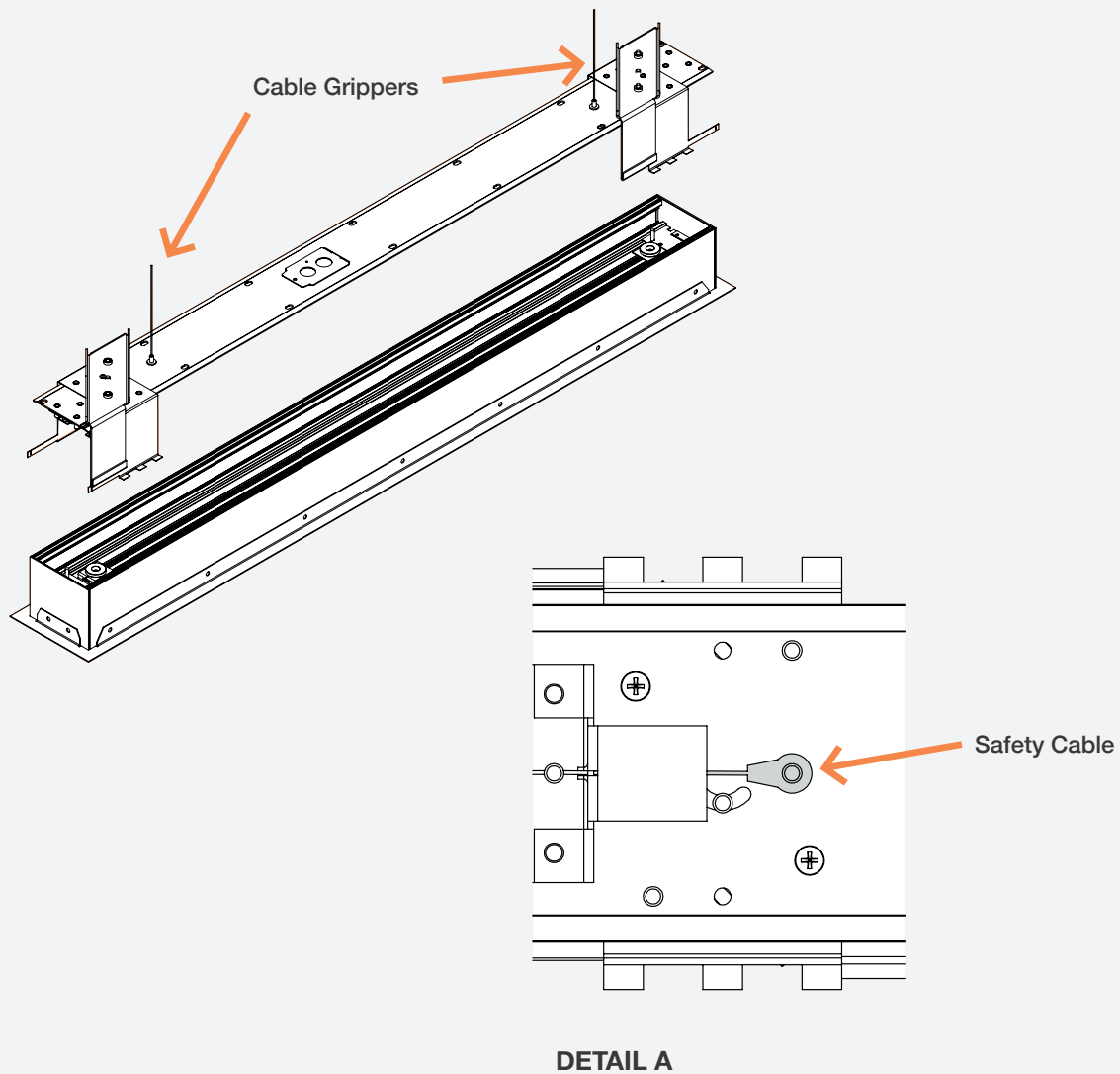
01

- Ensure the power to be connected to the fixture is turned off.
- Remove snap-in lens
- Remove the 2 screws shown below on both ends of the fixture. (6' to 8' fixtures have an additional 2 screws in the center of the fixture).
- Set aside the removed screws for later use.



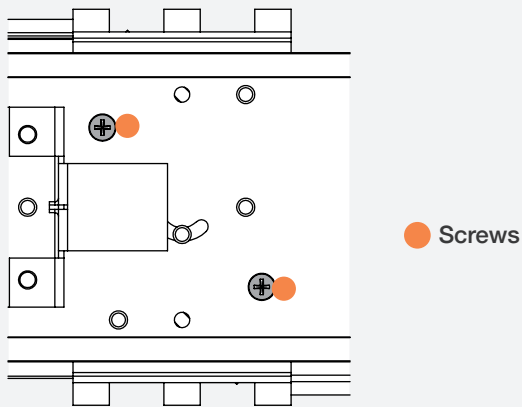
02

- With the screws removed, separate the top plate subassembly from the body of the fixture.
- Remove the safety cable from the top subassembly (**DETAIL A**).
- If required, install and connect aircraft cables through cable grippers.

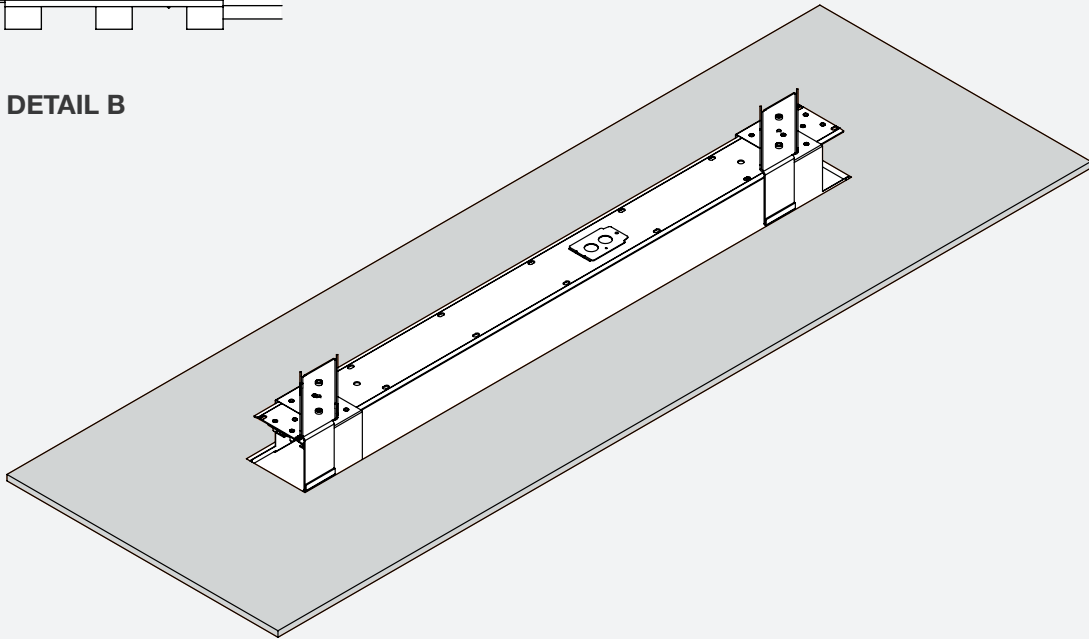


03

- On the inside of the top plate subassembly, remove the screws from the mounting bracket show below. Keep for use in the next step (DETAIL B).
- Insert the separated top subassembly into the drywall cutout as shown below.



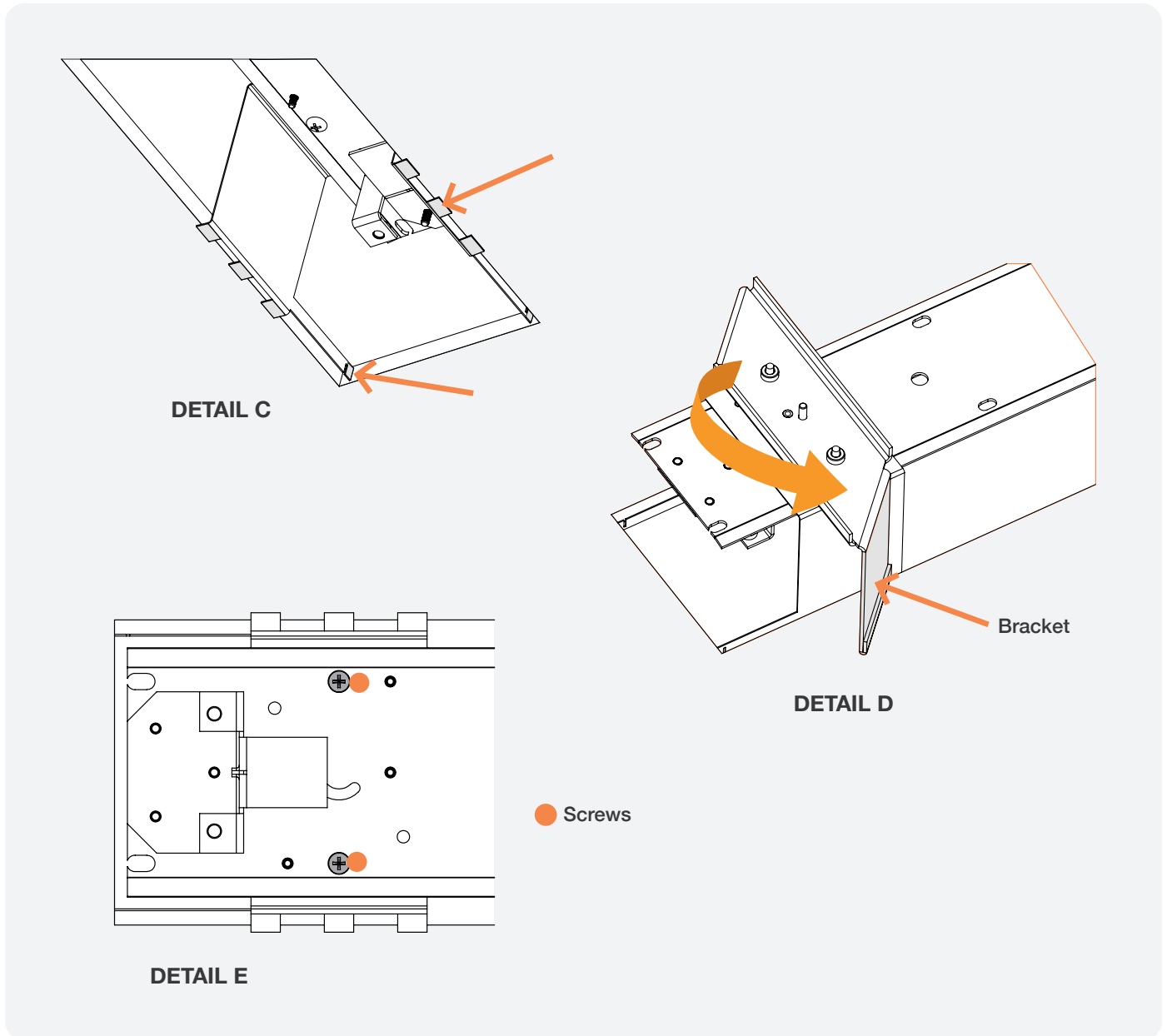
DETAIL B



04

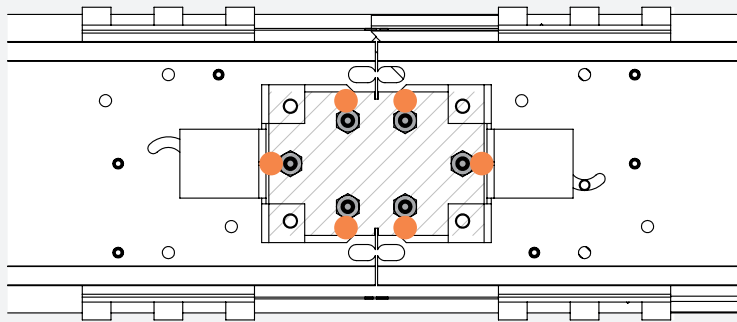
While the top subassembly has been properly place into the drywall:

- Ensure flanges sit flush with the drywall (**DETAIL C**).
- With the screws removed, rotate the mounting brackets outward (**DETAIL D**).
- Re-install the screws into the mounting bracket (in position shown) and tighten to secure the bracket onto the drywall surface (**DETAIL E**).



If Continuous Run

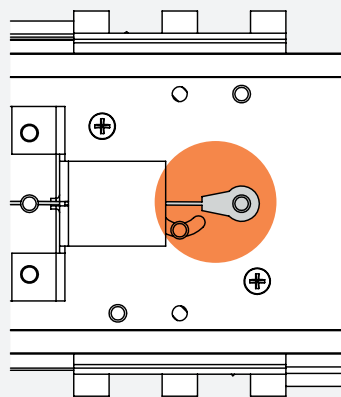
- Use the provided joining plate (pre-assembled to one side of the fixture joint) and 6 - #8-32UNC Hex Nuts (provided) to secure and position the two adjacent top plates to each other. The joining plate will assemble on top of the existing brackets inside of the top plate assembly, shown below. Secure adjacent top plate to the surface as per **STEP 4**. However do not fully secure to the drywall.
- Fully secure adjacent top plate assembly to the drywall surface as per **DETAIL E** in **STEP 4**.
- Repeat for any remaining continuous run joints.



 #8-32UNC HEX NUT

05

- Re-install the safety cables to the top of the subassembly on both sides of the fixture(s).
- Use the access plate on the top plate subassembly to connect the fixture wiring to main power, according to national electrical code.



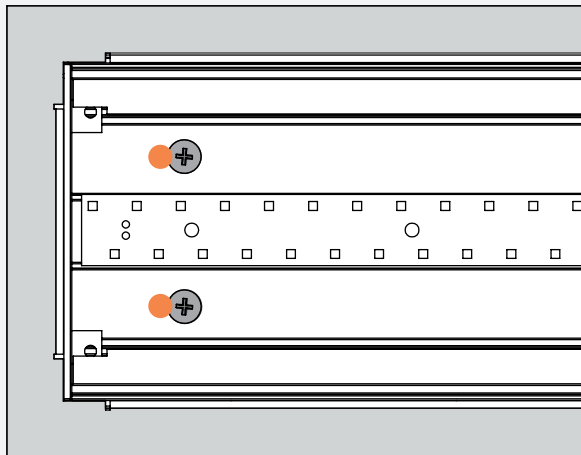
06

- Lift frame(s) onto top subassembly. Ensure the safety cables and power wires are not pinched between frame and top plate.
- Magnetized plates will position the frame against the top subassembly. **Note:** The magnetized plates are intended to help position and support the fixture during assembly; the magnetized support force is not a replacement for the structural support.

07

- Ensure the top plate is centered to the frame and that the frame sits flush to the surface.
- Using the screws removed in **STEP 1**, secure the frame to the top subassembly through the same holes in the frame. Ensure the fixture is located correctly (magnets will lightly support the frame and screws will fasten easily).

Screws ●



If Continuous Run

- From the bottom of the fixture, slide the joining bracket onto the two flanges of the bottom brackets and secure using two #6-32 screws (**FIG. 2**). Repeat this process on the opposite side of the fixture joint.
- Replace joint reflector over brackets and into reflector slots.

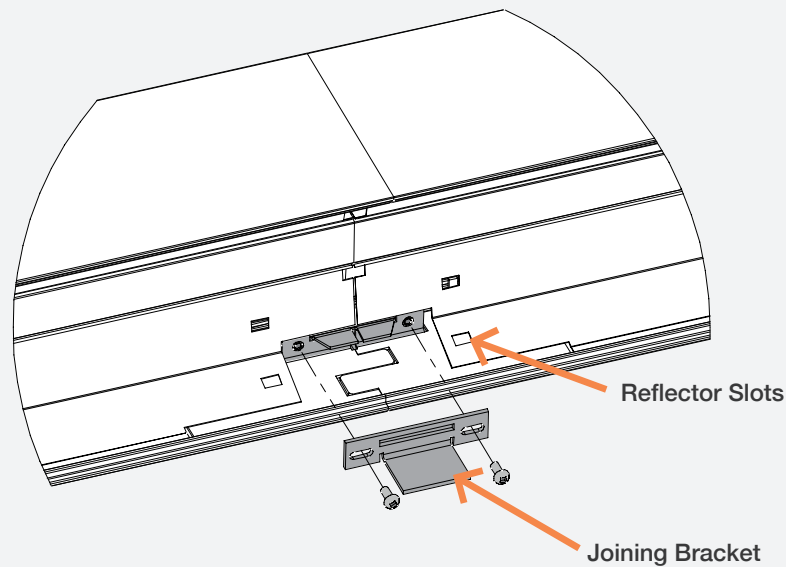


FIGURE 2

08

- Re-install the snap-in lens.
- Turn on the power to the fixture.



94 Brockport Drive, Toronto, ON, M9W 7J8
1.877.502.3434
info@delviro.com

www.delviro.com