

**10 YR**  
WARRANTY

Date: \_\_\_\_\_ Fixture: \_\_\_\_\_

QTY: \_\_\_\_\_ Project: \_\_\_\_\_



## Del Snap 2.0

### Troffer Fixture

1x4, 2x4 and 2x2 LED Troffer fixture. Steel construction. Diffused acrylic lens. White finish. Easy lay-installation. 10kV surge protection and occupancy sensor option. General ceiling light applications. 10 Year Warranty.

### Ordering Options

MODEL	SIZE	WATTS	COLOR TEMP	VOLTAGE	LENS	FINISH	MOUNTING
Del Snap 2.0	1x4	15, 20, 25, 30, 40	27K 2700K 3K 3000K 35K 3500K 4K 4000K 5K 5000K	U 120/277V H 347V	NL Normal Frosted Lens (standard)	WH White	TBAR T Bar DTRK Drywall Trim Kit
	2x4	15, 20, 25, 30 35, 40 50, 60					
	2x2	15, 20, 25, 30					

DELSNAP 2.0					NL	WH	
-------------	--	--	--	--	----	----	--

WIRING	ACCESSORIES	PLUG OPTIONS
<b>IN</b> Internal <b>BFC</b> Black Flexible Cord <b>WFC</b> White Flexible Cord	<b>N</b> None <b>*OCC</b> Occupancy Sensor (on/off) <b>10kV</b> 10kV Surge Protection <b>EM</b> Emergency Battery	<b>N</b> None *See Plug Options

--	--	--

**SAMPLE:** DELSNAP 2.0 - 1x4 - 20 - 4K - U - NL - WH - TBAR - BFC - N - N

**IN** - Internal Wiring Standard

**OCC** - Occupancy Sensor - Please consult factory

#### PLUG OPTIONS

**5-15P** - 125V 15A T-Slot Plug

**L5-15P** - 125V 15A Locking Plug

**5-20P** - 125V AC 20A T-Slot Plug

**L5-20P** - 125V 20A Locking Plug

**6-15P** - 250V AC 15A 3W/2P Plug NEMA 6-15

**L6-15P** - 250V 15A Locking Plug

**6-20P** - 250V AC 20A Plug

**L6-20P** - 250V 20A Locking Plug

**7-15P** - 277V 15A 3W/2P NEMA 7-15 Plug

**L7-15P** - 277V 15A Locking Plug

**7-20P** - 277V AC 20A Plug

**L7-20P** - 277V 20A Locking Plug

**24-20P** - 347V AV 20A 3W/2P Plug NEMA 24-20

**L24-20P** - 347V 20A Locking Plug

**24-15P** - 347V AC 15A 3W/2 Plug NEMA 24-15

Specifications subject to change without notice.

## Product Details

### Specifications

Efficacy: 130 Lm/W

CRI: 83+

Color Temperature: 2700K, 3000K, 3500K, 4000K, 5000K

Lumen Maintenance: 180,000+ Life Hours (L70)

Voltage: 120/277V | 347V

Operating Temperature: -40°C to +40°C

### Controls

0-10V Dimming

### Mounting

T-Bar

Drywall Trim Kit

### Accessories

Occupancy Sensor (on/off)

Emergency Battery

10kV Surge Protection

## Output Performance

Model	Watts	Lm/W	Lumens
Del Snap 1x4	15	130	1,950
	20	130	2,600
	25	130	3,250
	30	130	3,900
	40	130	5,200
Del Snap 2x2	15	130	1,950
	20	130	2,600
	25	130	3,250
	30	130	3,900

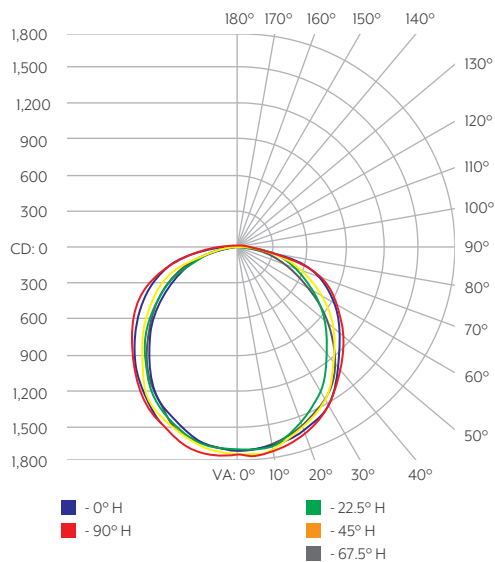
Model	Watts	Lm/W	Lumens
Del Snap 2x4	15	130	1,950
	20	130	2,600
	25	130	3,250
	30	130	3,900
	35	130	4,550
	40	130	5,200
	50	130	6,500
	60	130	7,800

Specifications subject to change without notice.

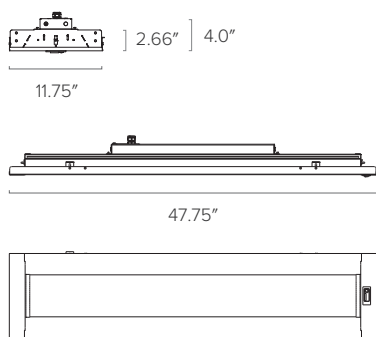
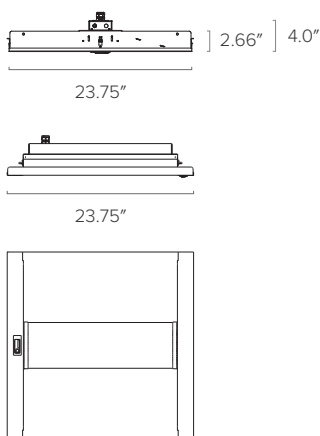
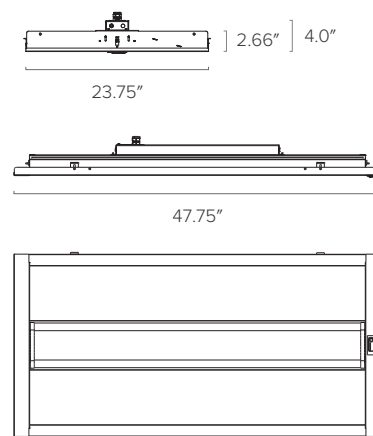
## Photometrics

**INTENSITY SUMMARY - CANDELAS**

Angle	0	22.5	45	67.5	90
0	1720	1720	1720	1720	1720
5	1683	1691	1710	1734	1752
10	1659	1669	1692	1718	1735
15	1620	1626	1652	1682	1700
20	1560	1563	1595	1627	1648
25	1484	1486	1524	1561	1583
30	1391	1395	1440	1484	1507
35	1289	1293	1346	1397	1423
40	1175	1181	1243	1301	1332
45	1051	1060	1132	1201	1233
50	922	937	1020	1101	1136
55	794	814	909	1002	1043
60	665	689	797	911	958
65	535	568	697	818	859
70	409	454	599	695	729
75	285	348	467	549	579
80	173	243	325	381	399
85	80	120	162	182	190
90	8	9	13	17	20

**POLAR CANDELA DISTRIBUTION**


## Dimensions

**DelSnap Troffer 1 x 4**

**DelSnap Troffer 2 x 2**

**DelSnap Troffer 2 x 4**


Specifications subject to change without notice.