

Date	Fixture	Quantity	Project
------	---------	----------	---------



## DTL Ellipse Pendant

### Features

- Architectural luminaire
- Elliptical shaped design
- 2 size options
- Pendant mounting
- Direct, direct/indirect light distribution options
- Multiple finishes
- Dry and damp rated for indoor applications
- Designed and Manufactured in North America
- 5 Year Warranty

### Specifications

#### Construction

Aluminum Extruded Body  
Cast End Caps with Light Block  
Powder Coated Finish

#### Dimensions

**5 x 3:** 36.8" x 63.2" x 4" | 3.18"  
**7 x 4:** 50" x 81.2" x 4" | 3.18"

#### LED

Samsung LM281B Plus Pro, 3-Step MacAdam Binning  
4000K - 130 Lm/W, 3500K - 98%, 3000K - 95%  
2700K-5000K  
CRI 80 | 90  
L90>70,000  
CRI: 80, 90

#### Lumens/Ft - Direct/Indirect

Min: 250 Lm/ft - Max: 1200 Lm/ft

#### Voltage

120/277V or 347V  
Emergency Battery

#### Dimming(Driver)

0-10V Dimming down to 1%, DALI, Lutron, Philips SR, ELDO

#### Lens

Frosted flat(Direct/Indirect)

#### Mounting

Aircraft Cable 10' Standard  
Note: For Indirect distribution, mount at a minimum distance of 3' from the ceiling

#### Finishes

RAL: Black, Grey, White(standard)  
Custom RAL finishes available

#### Certifications

cULus

Not all products are qualified on the DLC QPL. To view our DLC qualified products, please consult the DLC qualified products list at [www.designlights.org/qpl](http://www.designlights.org/qpl).



## Ordering Guide

Sample Configuration: DTL Ellipse - D - 5x3 - D250 - 80 - 4K - U - FR - WH - AC - DIMOFF - N - 1 - N - 5 WIRE - CL - 6 - WH

DTL Ellipse								FR		AC	
Model	Distribution	Size	Direct Lm/Ft	Indirect Lm/Ft	CRI	Color Temp	Voltage	Lens	Finish	Mounting	Dimming
Controls	Circuits	Accessories	Wiring	Wire Color	Wire Length	Canopy Finish					

Model	Distribution	Size	Direct Lm/Ft	Indirect Lm/Ft	CRI	Color Temp	Voltage
DTL Ellipse	<b>D</b> - Direct <b>D/I</b> - Direct/Indirect	<b>5x3</b> <b>7x4</b>	<b>D</b> - 250 (min) - 1200 (max)	<b>I</b> - 250 (min) - 1200 (max)	<b>80</b> <b>90</b>	<b>27K</b> - 2700K <b>3K</b> - 3000K <b>35K</b> - 3500K <b>4K</b> - 4000K <b>5K</b> - 5000K	<b>U</b> - 120/277V <b>H</b> - 347V

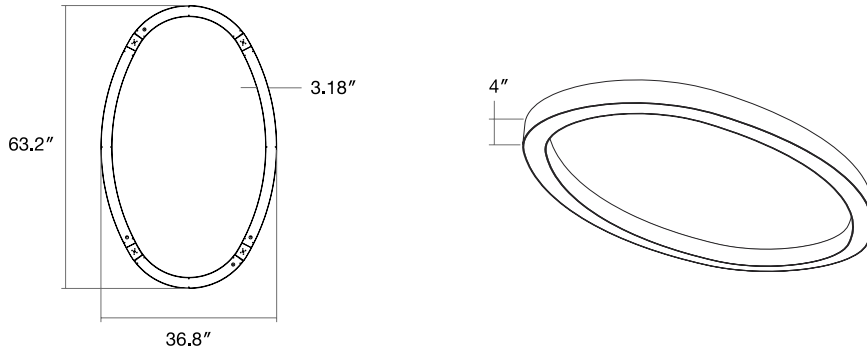
Lens	Finish	Mounting	Dimming(Driver)
<b>FR</b> - Frosted Flat (direct/indirect)	<b>WH</b> - White <b>BLK</b> - Black <b>GRY</b> - Grey <b>CU</b> - Custom*  Note: For custom finishes please specify RAL number	<b>AC</b> - Aircraft Cable (10' std)  Note: For indirect distribution, mount at a minimum distance of 3ft from the ceiling	<b>DIMOFF</b> - 0-10V Dimming down to 1% Optional <b>DALI</b> - Digital Addressable Lighting Interface <b>LUTRON</b> - Lutron Ecosystem <b>SR</b> - Philips SR <b>ELDO</b> - Dim to 0.11% ELDO (347 only 1-10 5%)

Controls	Circuits	Accessories	Wiring
<b>N</b> - None Optional <b>SNS</b> - Philips SNS 300 w/BLD & Daylight <b>CLM</b> - Encelium CLM <b>LG</b> - LG Dongle <b>BT</b> - Bluetooth Mesh <b>EN</b> - Enlighted Integral	<b>1</b> - 1 Circuit <b>2</b> - 2 Circuit (direct/indirect)	<b>N</b> - None Optional <b>10kV</b> - 10kV Surge Protection <b>EM</b> - Emergency Battery (5 or 6 Wire)* <b>+GTD</b> - Generator Transfer Device  Note: EM - Emergency Battery, minimum size 36"	<b>5 WIRE</b> - Standard + EM Optional <b>6 WIRE</b> - Emergency Battery w/ constant & switched HOT (Powercord: Black or White) <b>N</b> - 5 Leads

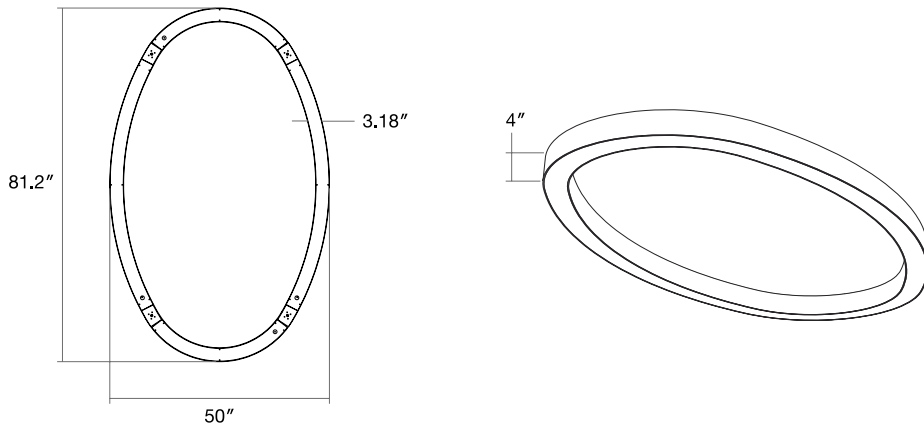
Wire Color	Wire Length	Canopy Finish		
<b>CL</b> - Clear Optional <b>B</b> - Black <b>W</b> - White	<b>Length</b> _____ 6' Standard	<b>WH</b> - White <b>BLK</b> - Black <b>CU</b> - Custom*  Note: Please contact factory for custom finishes		

## Dimensions

### DTL Ellipse 5x3

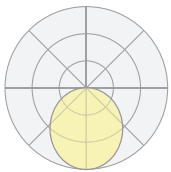


### DTL Ellipse 7x4

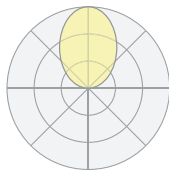


## Lens/Distribution

### Direct/Indirect Distribution

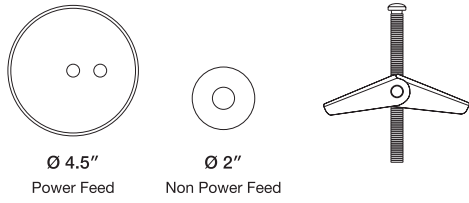


**Lambertian**  
Direct: Frosted Flat  
Lens



**Lambertian**  
Indirect: Frosted Flat  
Lens

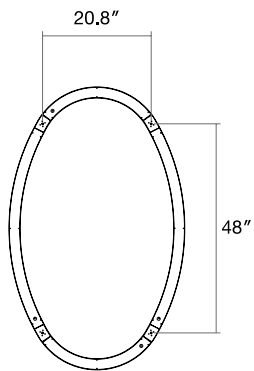
## Mounting Options



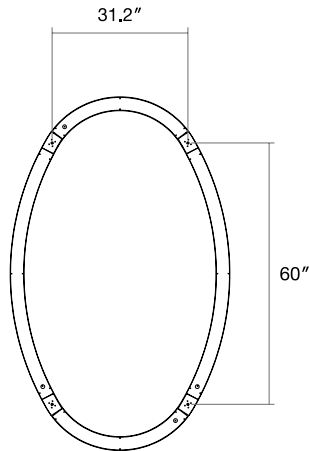
Aircraft Cable Canopy / Drywall Anchor

## Mounting Locations

DTL Ellipse 5x3

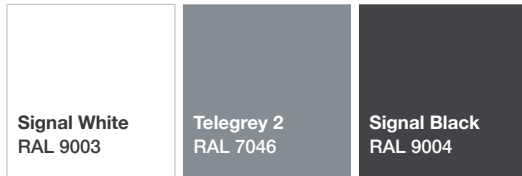


DTL Ellipse 7x4



## RAL Finish Options

### Standard Finishes



### Sample Custom Finishes



### Additional RAL Finishes Please Contact Factory



### Canopy Finishes

