

Date	Fixture	Quantity	Project



## DTL C Pendant

### Features

- C-shaped architectural luminaire
- Pendant mounting
- Direct and direct/indirect light distributions
- Available in 4 sizes
- Multiple finishes
- Dry and damp rated for indoor applications
- Designed and Manufactured in North America
- 5 Year Warranty

## Specifications

### Construction

Aluminum Extruded Seamless Body  
Cast End Caps with Light Block  
Powder Coated Finish

### Dimensions

Widths: 3.18"  
Height: 4.125"  
Diameter: 24", 36", 44", 60"

### LED

Samsung LM281B Plus Pro, 3-Step MacAdam Binning  
4000K - 130 Lm/W, 3500K - 98%, 3000K - 95%  
2700K-5000K  
CRI 80 | 90  
L90>70,000  
CRI: 80, 90

### Lumens/Ft - Direct/Indirect

Min: 250 Lm/ft - Max: 1200 Lm/ft

### Voltage

120/277V or 347V  
Emergency Battery

### Dimming(Driver)

0-10V Dimming down to 1%, DALI, Lutron, Philips SR, ELDO

### Lens

Frosted flat(Direct/Indirect)

### Mounting

Aircraft Cable 10' Standard  
Note: For Indirect distribution, mount at a minimum distance of 3' from the ceiling

### Finishes

RAL: Black, Grey, White(standard)  
Custom RAL finishes available

### Certifications

cULus

Not all products are qualified on the DLC QPL. To view our DLC qualified products, please consult the DLC qualified products list at [www.designlights.org/qpl](http://www.designlights.org/qpl).



## Ordering Guide

Sample Configuration: DTL C - DI - 24 - D 500 - I 500 - 80 - 4K - U - FR - WH - AC - DIMOFF - N - 2 - N - 5WIRE - CL - 6 - WH

DTL C								FR		AC	
Model	Distribution	Width	Direct Lm/Ft	Indirect Lm/Ft	CRI	Color Temp	Voltage	Lens	Finish	Mounting	Dimming
Controls	Circuits	Accessories	Wiring	Wire Color	Wire Length	Canopy Finish					

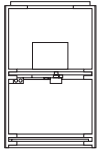
Model	Distribution	Width	Direct Lm/Ft	Indirect Lm/Ft	CRI	Color Temp	Voltage
DTL C	D - Direct DI - Direct/Indirect	24 36 44 60	D 250 (min) - D 1200 (max)	I 250 (min) - I 1200 (max)	80 90	27K - 2700K 3K - 3000K 35K - 3500K 4K - 4000K 5K - 5000K	U - 120/277V H - 347V

Lens	Finish	Mounting	Dimming(Driver)
FR - Frosted Flat (direct/indirect)	WH - White BLK - Black GRY - Grey CU - Custom*  Note: For custom finishes please specify RAL number	AC - Aircraft Cable (10' std)  Note: For indirect distribution, mount at a minimum distance of 3ft from the ceiling	DIMOFF - 0-10V Dimming down to 1% Optional DALI - Digital Addressable Lighting Interface LUTRON - Lutron Ecosystem SR - Philips SR ELDO - Dim to 0.11% ELDO (347 only 1-10 5%)

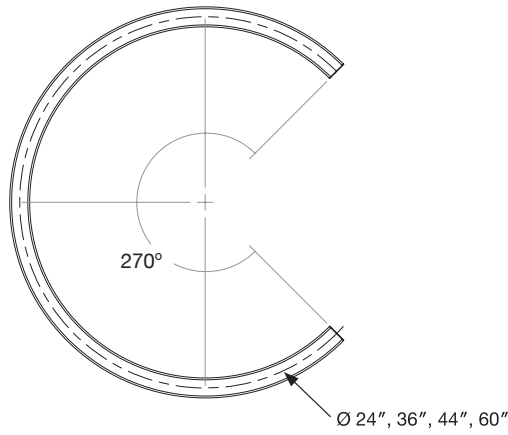
Controls	Circuits	Accessories	Wiring
N - None Optional SNS- Philips SNS 300 w/BLD & Daylight CLM - Encelium CLM LG - LG Dongle BT - Bluetooth Mesh EN - Enlighted Integral	1 - 1 Circuit 2 - 2 Circuit (direct/indirect)	N - None Optional 10kV - 10kV Surge Protection EM - Emergency Battery (5 or 6 Wire)* +GTD - Generator Transfer Device  Note: EM - Emergency Battery, minimum size 36"	5 WIRE - Standard + EM Optional 6 WIRE - Emergency Battery w/ constant & switched HOT (Powercord: Black or White) N - 5 Leads

Wire Color	Wire Length	Canopy Finish		
CL - Clear Optional B - Black W - White	Length____ 6' Standard	WH - White BLK - Black CU - Custom*  Note: Please contact factory for custom finishes		

## Dimensions

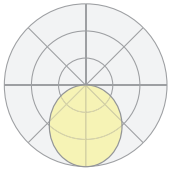


W: 3.18"  
H: 4"

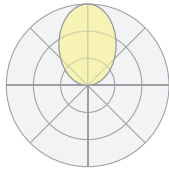


## Lens/Distribution

### Direct/Indirect Distribution

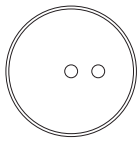


**Lambertian**  
Direct: Frosted Flat  
Lens



**Lambertian**  
Indirect: Frosted Flat  
Lens

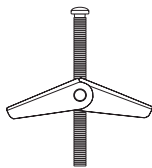
## Mounting



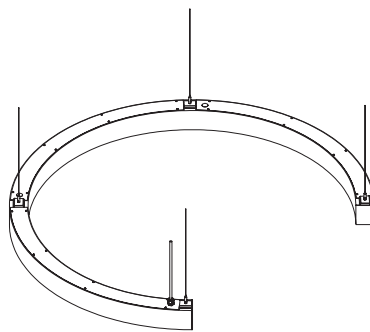
Ø 4.5"  
Power Feed



Ø 2"  
Non Power Feed

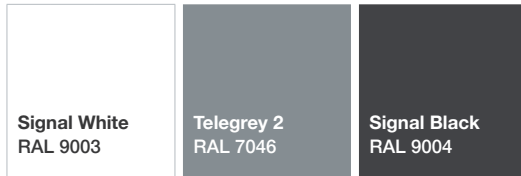


Aircraft Cable Canopy / Drywall Anchor



## RAL Finish Options

### Standard Finishes



### Sample Custom Finishes



### Additional RAL Finishes - Please Contact Factory



### Canopy Finishes

