

Zip Round

Pendant Mounting

Installation Manual

Safety & Warnings:

Failure to follow these instructions and warnings may result in death, serious injury or significant property damage.

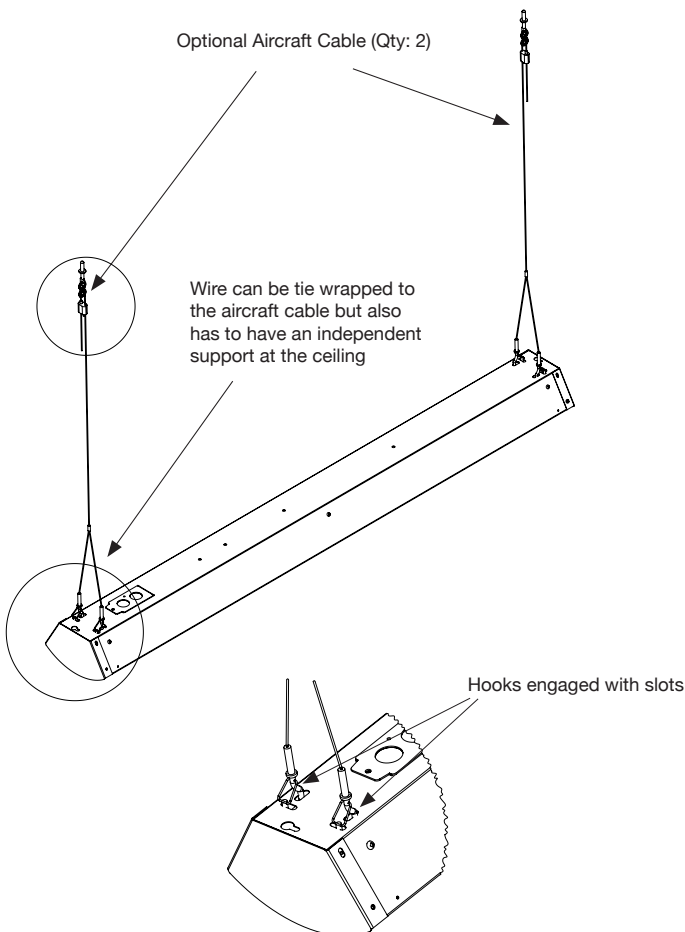


Warning: Risk of Fire and Electrical Shock. Fixture must be installed by a qualified electrician only in accordance with National, Local Building, and Electrical Codes. Disconnect power at the electrical panel before servicing.

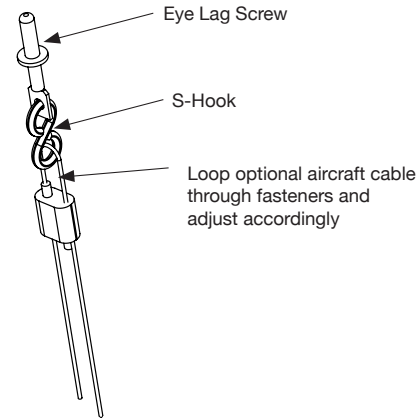
General contractor is responsible for the installation of appropriate anchors to support the load of the fixture at positions detailed in the installation manual. Installation of such anchors or other support systems must be completed in accordance with applicable building/installation code.

Steps

1.
 - Ensure the power to be connected to the fixture is turned off.



2.
 - The Zip Round fixture has an optional aircraft cable which can be ordered. If the installer is using their own aircraft cable they must ensure that the cable has hooks which will fit through the slot of the Zip Round fixture. The hooks should engage properly such that the cable does not come out of the slots located at the top of the Zip Round fixture.



3.
 - Run the straight wire of the aircraft cable through the adapter which will form a loop and adjust as per height requirement. Once fixture is leveled, cut the excess wires. Attach an S-Hook to the loop formed and use pliers to 'close' off the ends of the S-Hook (minimum S-Hook size 1.625" long, 0.135" thick with 0.5" ID in steel). There should be a loop at the end of this cable at the top after inserting cable into fastener which can be attached to an S Hook.
4.
 - At the top of the S-Hook, attach an eye lag screw. The installer should choose the proper eye lag screw as there are different types used for wood, steel, and concrete. Minimum eye lag screw should be #12.
5.
 - Pull the existing wire from the Zip Round fixture into the junction box. Use a strain relief on the access plate if required. Connect the appropriate wires using wire nuts (Black to Black, White to White, and Green to Ground wire). Ensure the ground wire is also grounded to the junction box using a ground screw. The wire from the Zip Round fixture can be tie wrapped to the aircraft cable but also has to be independently supported to the ceiling or roof. Check to see if the Zip Round fixture is securely in place and that the aircraft cable is properly attached to the ceiling and the fixture.
6.
 - Ensure Zip Round fixture is connected to a timer, relay system, motion detector or switch so that it can be activated easily.
7.
 - Check all connections for open loops and replace loose or damaged wires if necessary.
8.
 - Turn on the electrical power. Test the connection by turning on the timer, relay system, motion detector, or light switch that the Zip Round fixture is connected to.

This document is the exclusive property of delviro energy inc. It is supplied in confidence and must not be used for any purpose other than for which it is supplied. No disclosure, reproduction or use of any part of the enclosed may be made except by permission from delviro energy inc.

Specifications subject to change without notice.

© delviro energy