

Fixture: \_\_\_\_\_ QTY: \_\_\_\_\_

Project: \_\_\_\_\_

## Lumenova Lantern

### Post Top Lighting | Outdoor Area

The Lumenova Lantern features a timeless design of a coach lantern mounted on top of a pole, creating a traditional and classic aesthetic.

Its durable and weather-resistance construction and finish make it perfect for street lighting, parks, and landscaped areas.

Designed and manufactured in North America.



## Specifications

### Construction

Aluminum Housing

### Dimensions

Length: 15.26"  
Width: 15.26"  
Height: 25.74"

### Efficacy

125 Lm/W

### Lumen Maintenance

200,000+ Life Hours (L70)

### Watts

40W, 60W, 80W, 100W

### Color Temperature

3000K, 3500K, 4000K, 5000K

### Voltage

120/277V | 347V

### Lens

Frosted

### Mounting

Post Top

### Operating Temperature

-40°C to +40°C | -40°F to +104°F

### Wiring

Black Flexible Cord  
White Flexible Cord

### Finish

Black - RAL 9004

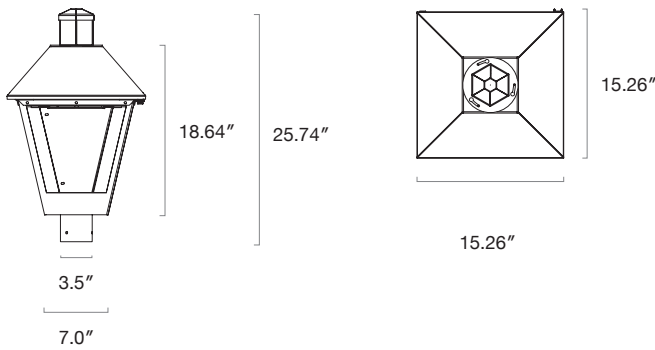
### Warranty

5-Year Warranty

## Output Performance

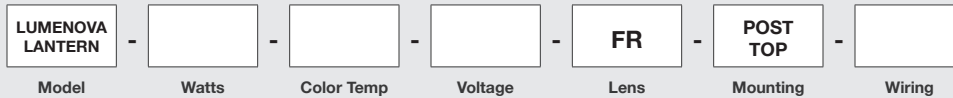
Model	Watts	Lm/W	Delivered Lumens
Lumenova Lantern	40	125	5000
	60		7500
	80		10000
	100		12500

## Dimensions



## Ordering Options

Sample Configuration: LUMENOVA LANTERN - 80 - 4K - U - FR - POST TOP - BFC



Model	Watts	Color Temp	Voltage	Lens	Mounting	Wiring
LUMENOVA LANTERN	40	3K - 3000K	U - 120/277V	FR - Frosted	POST TOP	BFC - Black Flexible Cord WFC - White Flexible Cord
	60	35K - 3500K				
	80	4K - 4000K	H - 347V			
	100	5K - 5000K				