

DTL Slim

Indirect LED Board Replacement

Safety & Warnings:

Failure to follow these instructions and warnings may result in death, serious injury or significant property damage.

Warning: Risk of Fire and Electrical Shock. Fixture must be installed by a qualified electrician only in accordance with National, Local Building, and Electrical Codes. Disconnect power at the electrical panel before servicing.

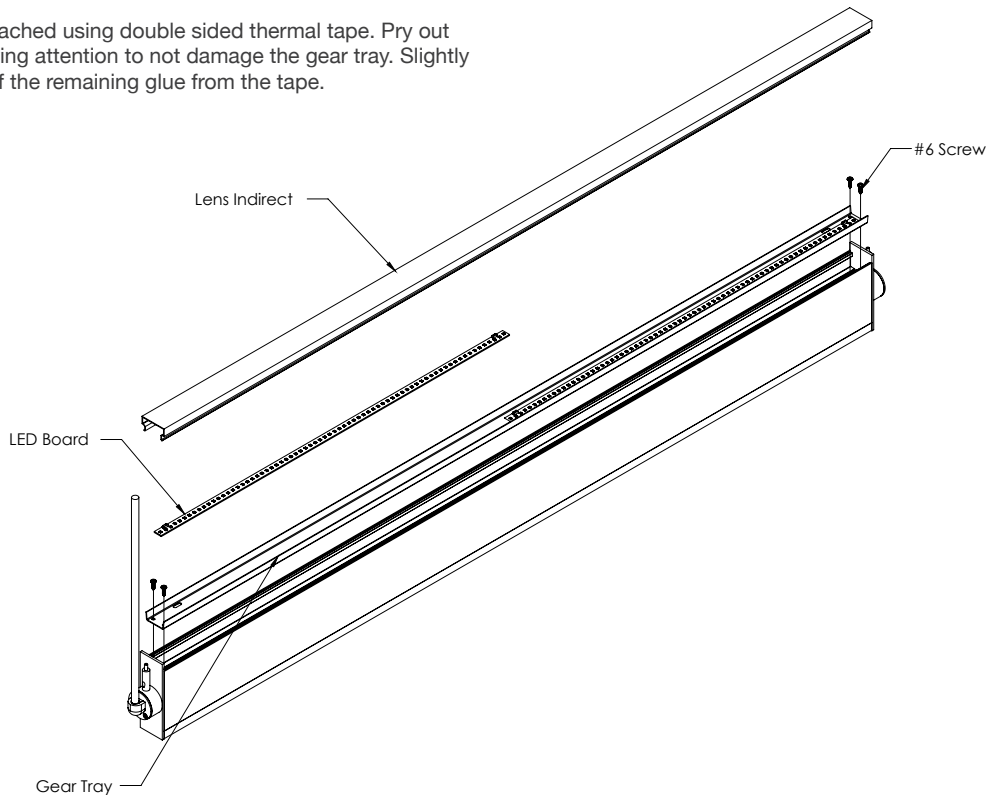


General contractor is responsible for the installation of appropriate anchors to support the load of the fixture at positions detailed in the installation manual. Installation of such anchors or other support systems must be completed in accordance with applicable building/ installation code.

Replacing The Driver

Steps

1. Disconnect the electrical power to the fixture before servicing.
2. Squeeze slightly the indirect lens and pull to remove from the fixture.
3. Locate the damaged LED board and pull carefully the wires from the end connector by inserting a sharp object/wire in the small hole and/or rotate the wire as you pull.
4. Remove the #6 screws that hold the gear tray in place and pull the gear tray with caution not to damage the wires.
5. The LED board is attached using double sided thermal tape. Pry out the board slowly paying attention to not damage the gear tray. Slightly clean the gear tray of the remaining glue from the tape.
6. Get the new board and redo the wiring by pushing the stripped wire in the end connector. Make sure to respect the polarity.
7. Remove the protective plastic from the back of the board to expose the tape and press the board on the gear tray.
8. Push the gear tray back in the fixture careful not to pinch the wires. Reattach with the #6 screws.
9. Press the lens in.



This document is the exclusive property of delviro energy inc. It is supplied in confidence and must not be used for any purpose other than for which it is supplied. No disclosure, reproduction or use of any part of the enclosed may be made except by permission from delviro energy inc. Specifications subject to change without notice.