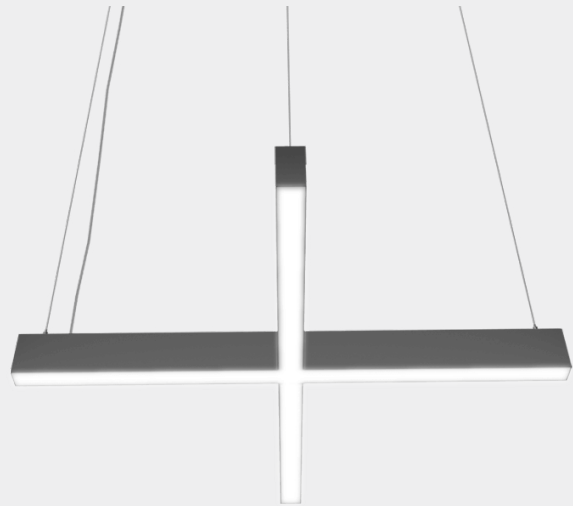
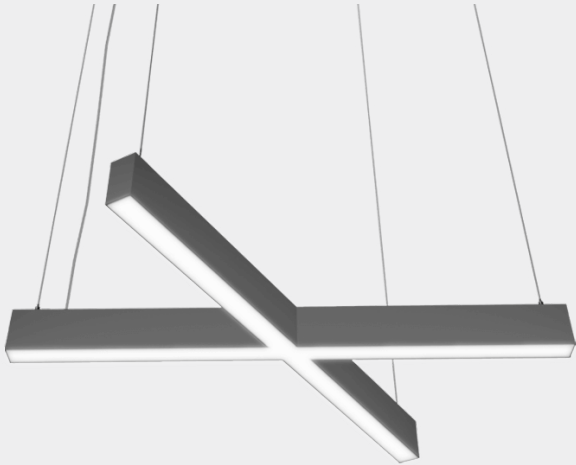


Date                      Fixture                      Project                      Quantity



## Thinline DTL-X

### Suspended

#### Features

- Architectural X-Shape luminaire
- Pendant mounting
- 60° and 90° angle options
- 3 size options
- Multiple finishes
- Dry and damp rated for indoor applications
- Designed and Manufactured in North America
- 5 Year Warranty



## Specifications

### Construction

Aluminum Extruded Body  
Cast End Caps with Light Block  
Powder Coated Finish

### Distribution

Direct  
Direct/Indirect

### Angles

60°  
90°

### Sizes

4 x 2'  
4 x 3'  
4 x 4'

### LED

Samsung LM281B Plus Pro, 3-Step MacAdam Binning  
4000K - 130 Lm/W  
3500K - 98%  
3000K - 95%  
L90>70,000

### Lumens/Ft - Direct/Indirect

Min: 250 Lm/ft - Max: 1200 Lm/ft

### Color Temperature

2700K - 5000K

### CRI

80 or 90

### Voltage

120/277V or 347V

### Driver

0-10V Dimming down to 1%, DALI, Lutron, Philips SR, ELDO

### Control Options

Philips SNS 300, Encelium CLM, LG Dongle, Bluetooth Mesh,  
Enlighted Integral

### Lens: Direct

Frosted Flat (std), Frosted Regressed

### Lens: Indirect

Frosted, Batwing

### Accessories

10kV Surge Protection, Generator Transfer Device,  
Emergency Battery,

### Mounting

Aircraft Cable (10' std)

Note: For indirect distribution, mount at a minimum distance of  
3ft from the ceiling

### Wiring

5 Leads  
5 Wire  
6 Wire (emergency battery option only)

### Finishes

Black - RAL 9004  
Grey - RAL 7046  
White - RAL 9003

Custom RAL finishes available

### Certifications

cULus

## Ordering Guide

Sample Configuration: DTL X 90 - 4 x 2FT - D500 - I500 - 80 - 4K - U - FR - FR - WH - AC - DIMOFF - N - 2 - N - 5 WIRE - CL - 6 - WH

Model	Width	Length/CR	Direct Lm/Ft	Indirect Lm/Ft	CRI	Color Temp	Voltage	Direct Lens	Indirect Lens
	AC								
Finish	Mounting	Driver	Controls	Circuits	Accessories	Wiring	Wire Color	Wire Length	Canopy Finish

Model	Size	Direct Lm/Ft	Indirect Lm/Ft	CRI	Color Temp	Voltage
<b>DTL X 60</b> <b>DTL X 90</b>	4 x 2FT 4 x 3FT 4 x 4FT  Custom Sizes Available - Please Consult Factory	<b>D 250 (min) - D 1200 (max)</b>	<b>I 250 (min) - I 1200 (max)</b>	<b>80</b> <b>90</b>	<b>27K - 2700K</b> <b>3K - 3000K</b> <b>35K - 3500K</b> <b>4K - 4000K</b> <b>5K - 5000K</b>	<b>U - 120/277V</b> <b>H - 347V</b>

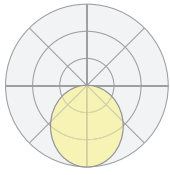
Direct Lens	Indirect Lens	Finish	Mounting	Driver
<b>FR</b> - Frosted Flat <b>FFREG</b> - Frosted Regressed	<b>FR</b> - Frosted <b>BATWING</b> - Batwing  Indirect Lens: Minimum size 4FT x 2FT	<b>WH</b> - White <b>BLK</b> - Black <b>GRY</b> - Grey <b>CU</b> - Custom*  * For custom finishes please specify RAL number	<b>AC</b> - Aircraft Cable (10' std)	<b>DIMOFF</b> - 0-10V Dimming down to 1% Optional <b>DALI</b> - Digital Addressable Lighting Interface <b>LUTRON</b> - Lutron Ecosystem <b>SR</b> - Philips SR <b>ELDO</b> - Dim to 0.11% ELDO (347 only 1-10 5%)

Controls	Circuits	Accessories	Wiring
<b>N</b> - None Optional <b>SNS</b> - Philips SNS 300 w/BLD & Daylight <b>CLM</b> - Encelium CLM <b>LG</b> - LG Dongle <b>BT</b> - Bluetooth Mesh <b>EN</b> - Enlighted Integral	<b>1</b> - 1 Circuit <b>2</b> - 2 Circuit (direct/indirect)	<b>N</b> - None Optional <b>10kV</b> - 10kV Surge Protection <b>EM</b> - Emergency Battery (5 or 6 Wire) <b>+GTD</b> - Generator Transfer Device	<b>5 WIRE</b> - 5 Wire Optional <b>6 WIRE</b> - 6 Wire - Emergency Battery Option (black color only) <b>N</b> - 5 Leads

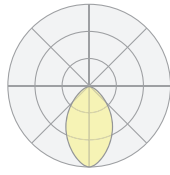
Wire Color	Wire Length	Canopy Finish		
<b>CL</b> - Clear Optional <b>B</b> - Black <b>W</b> - White	<b>Length</b> _____ 6' Standard	<b>WH</b> - White <b>BLK</b> - Black <b>CU</b> - Custom*  * Please contact factory for custom finishes		

### Distribution/Lens Options

#### Direct Distribution

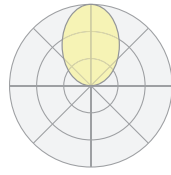


**Lambertian**  
Frosted Flat Lens

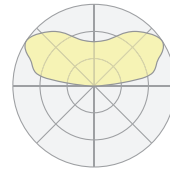


**Lambertian**  
0.375" Frosted  
Regressed Lens

#### Indirect Distribution



**Lambertian**  
Frosted Lens



**Batwing**  
Frosted Lens

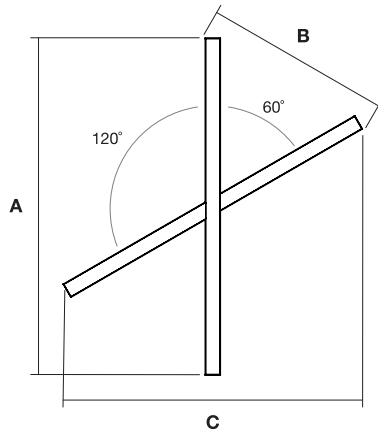
### Height/Width



W: 2.25"  
H: 4.0"

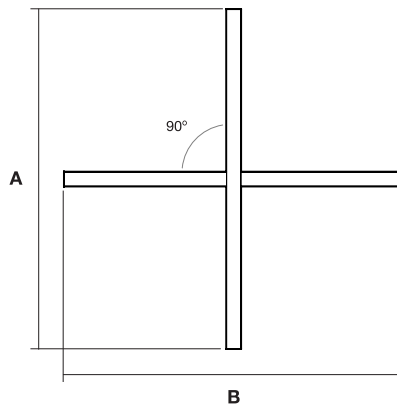
### Models: Dimensions

#### X 60



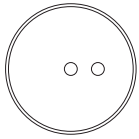
Model	A	B	C
4 x 2'	48.7"	26.3"	43.3"
4 x 3'	72.7"	37.3"	64.1"
4 x 4'	96.7"	50.3"	84.9"

#### X 90



Model	A	B
4 x 2'	48.7"	48.7"
4 x 3'	72.7"	72.7"
4 x 4'	96.7"	96.7"

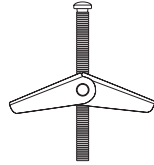
## Mounting Options



Ø 4.5"  
Power Feed



Ø 2"  
Non Power Feed



Aircraft Cable Canopy / Drywall Anchor

## RAL Finish Options

### Standard Finishes



**Signal White**  
RAL 9003

**Telegrey 2**  
RAL 7046

**Signal Black**  
RAL 9004

### Sample Custom Finishes



**Traffic White**  
RAL 9016

**Papyrus White**  
RAL 9018

**Graphic Grey**  
RAL 7024

**Jet Black**  
RAL 9005

**Graphic Black**  
RAL 9011

**Azure Blue**  
RAL 5009

**Gentian Blue**  
RAL 5010

**Sky Blue**  
RAL 5015



**Pastel Orange**  
RAL 2003

**Pure Orange**  
RAL 2004

**Lemon Yellow**  
RAL 1012

**Zinc Yellow**  
RAL 1018

**Coral Red**  
RAL 3016

**Rose**  
RAL 3017

**Traffic Red**  
RAL 3020

**Salmon Pink**  
RAL 3022



**Olive Green**  
RAL 6003

**Grass Green**  
RAL 6010

**Claret Violet**  
RAL 4004

**Traffic Purple**  
RAL 4006

**Pearl Blackberry**  
RAL 4012

**Beige**  
RAL 1001

**Nut Brown**  
RAL 8011

**Sepia Brown**  
RAL 8014

### Canopy Finishes



**Signal White**  
RAL 9003

**Telegrey 2**  
RAL 7046

**Signal Black**  
RAL 9004



**Additional RAL Finishes**  
Please Contact Factory