

# DTL Surface Mount Under Canopy

## Service Instructions

### Safety & Warnings:

*Failure to follow these instructions and warnings may result in death, serious injury or significant property damage.*

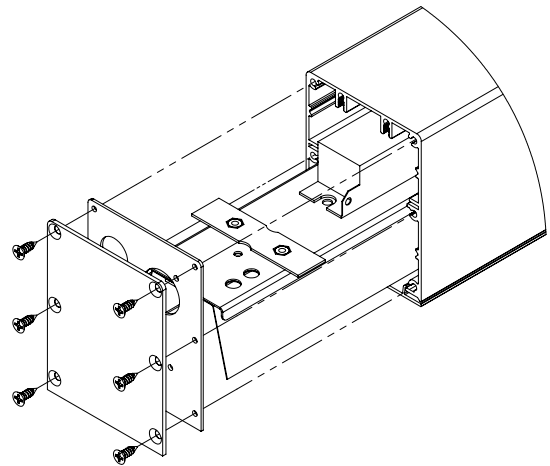
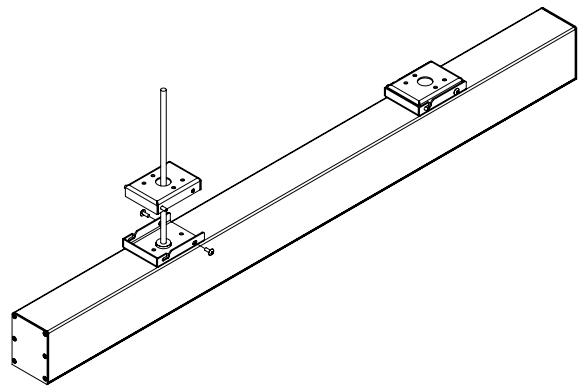
**Warning: Risk of Fire and Electrical Shock.** Fixture must be installed by a qualified electrician only in accordance with National, Local Building, and Electrical Codes. Disconnect power at the electrical panel before servicing.



General contractor is responsible for the installation of appropriate anchors to support the load of the fixture at positions detailed in the installation manual. Installation of such anchors or other support systems must be completed in accordance with applicable building/ installation code.

### Service Instructions

1.
  - Disconnect the electrical power to the fixture before servicing.
2.
  - In order to replace parts, the fixture needs to be removed and put on a working bench for proper servicing. Do not service the unit in the mounted position.
3.
  - Once in servicing position, remove the End Cap close to the power cord by removing the 6 screws (#8 size) - FIG.2.
4.
  - Disconnect the power cord from the unit - open the quick connects to remove wires.
5.
  - Slide out the gear tray and replace parts. Make sure the reflector is not damaged.
6.
  - If the driver needs to be replaced, remove the wires, disconnect mechanically and replace with new driver. Redo the wiring connections.
7.
  - If the LED boards needs to be replaced, locate the damaged board and remove all fasteners. Discard the snap in BJB fasteners. Remove wire connections between the boards AM=ND. Replace the board. Redo the wiring and test before attaching the boards using new snap in fasteners.
8.
  - If the lens has to be pried out, the gasketing needs to be checked and redone if needed (recommended).
9.
  - Check if the light fixture works before reassembling.
10.
  - After the servicing is done, redo the electrical connections and push in the gear tray.
11.
  - Reattach the End Cap, make sure that the rubber gasket is in place. Do not over-tighten the screws but make sure the right torque is used to close the fixture.
12.
  - Hook the unit back and lock in position.



**NOTE:** Same steps if cord is thru the End Cap

This document is the exclusive property of delviro energy inc. It is supplied in confidence and must not be used for any purpose other than for which it is supplied. No disclosure, reproduction or use of any part of the enclosed may be made except by permission from delviro energy inc.

Specifications subject to change without notice.

© delviro energy