

DTL 2.25 & 3.18

Driver Replacement Instruction Manual

Safety & Warnings:

Failure to follow these instructions and warnings may result in death, serious injury or significant property damage.

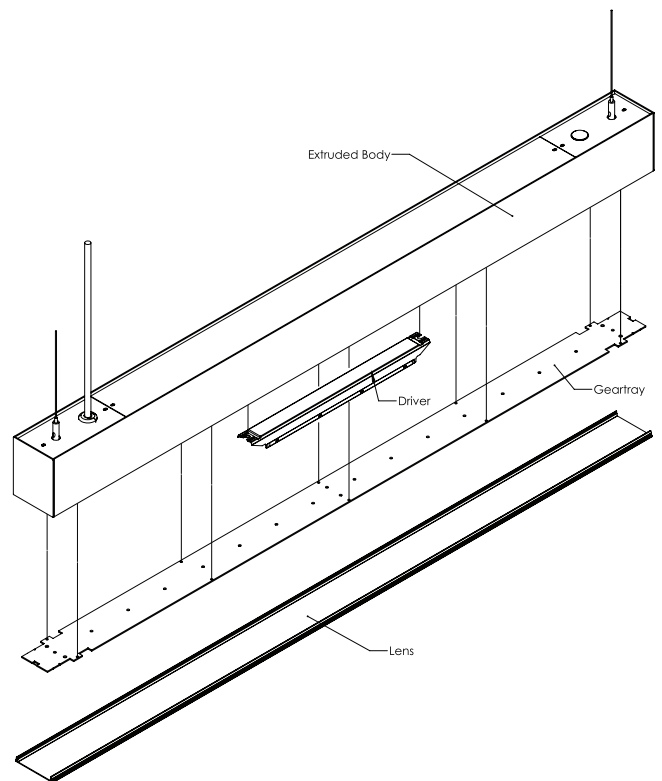
Warning: Risk of Fire and Electrical Shock. Fixture must be installed by a qualified electrician only in accordance with National, Local Building, and Electrical Codes. Disconnect power at the electrical panel before servicing.



General contractor is responsible for the installation of appropriate anchors to support the load of the fixture at positions detailed in the installation manual. Installation of such anchors or other support systems must be completed in accordance with applicable building/ installation code.

Steps

1.
 - Ensure the power to the fixture's circuit is turned off.
2.
 - The drivers for direct and indirect light are located inside the body of the fixture.
3.
 - Remove the lens from the bottom of the fixture using a flat screwdriver and pull the lens out of the snap-in grooves.
4.
 - Remove the screws that are holding the LED gear tray and keep aside.
5.
 - Disconnect the driver by pushing with a pointed object on the driver terminals. Remember or write the wire connections/colors.
6.
 - Remove the nuts and washers that hold the defective driver in place.
7.
 - Attach the new driver using the previously removed nuts and washers.
8.
 - Redo the wire connections by pushing the wires in the respective terminals on the driver.
9.
 - Attach the gear tray back on the fixture using the previously removed screws. Make sure all the wires are positioned properly so they don't get pinched.
10.
 - Test the fixture.
11.
 - Attach the lens by pushing it to snap in place.



This document is the exclusive property of delviro energy inc. It is supplied in confidence and must not be used for any purpose other than for which it is supplied. No disclosure, reproduction or use of any part of the enclosed may be made except by permission from delviro energy inc.

Specifications subject to change without notice.

© delviro energy