

# Zip Eco

## Pendant Mounting

### Installation Manual: Chain Mounting

#### Safety & Warnings:

Failure to follow these instructions and warnings may result in death, serious injury or significant property damage.

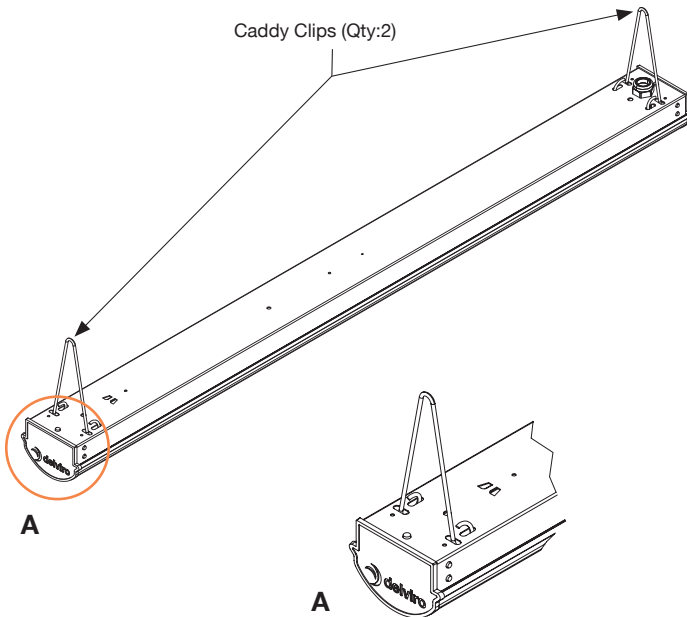


**Warning: Risk of Fire and Electrical Shock. Fixture must be installed by a qualified electrician only in accordance with National, Local Building, and Electrical Codes. Disconnect power at the electrical panel before servicing.**

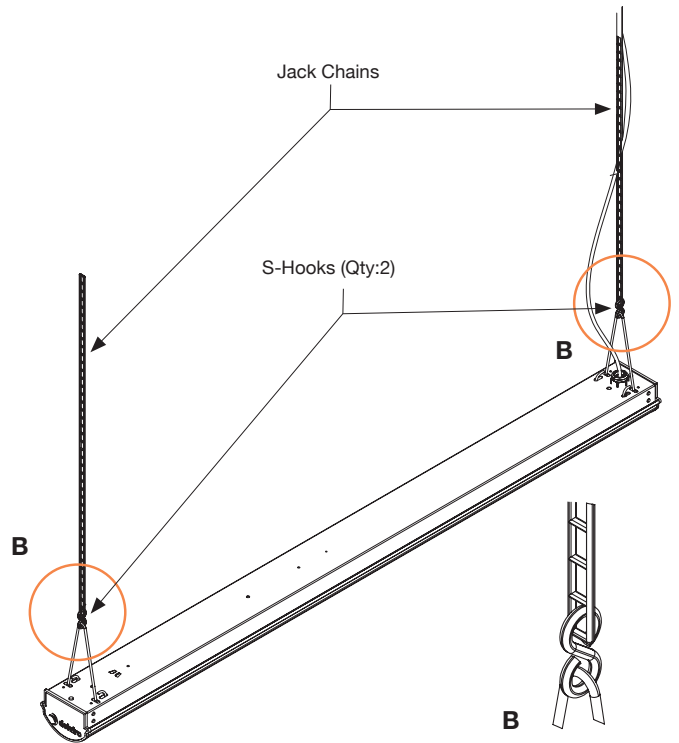
General contractor is responsible for the installation of appropriate anchors to support the load of the fixture at positions detailed in the installation manual. Installation of such anchors or other support systems must be completed in accordance with applicable building/installation code.

#### Steps

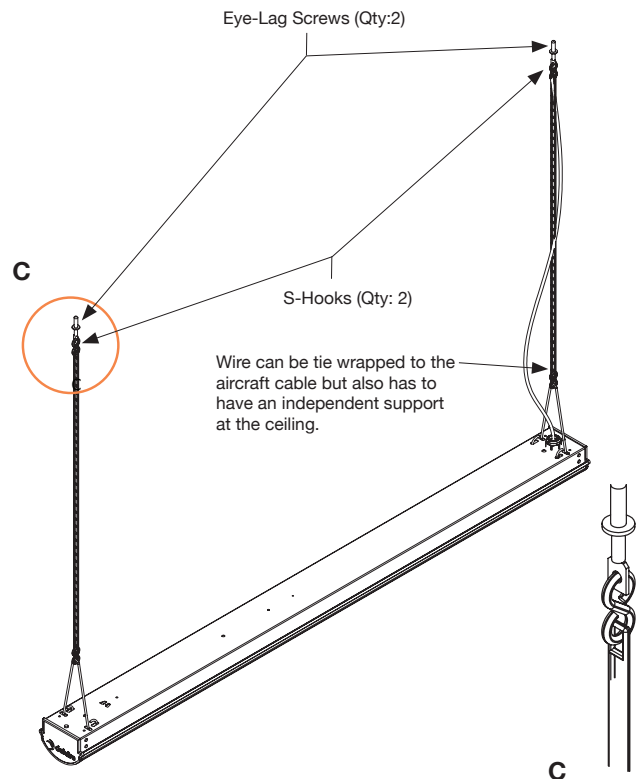
1. Ensure the power to be connected to the fixture is turned off.
2. The Zip Eco fixture is shipped with 2 caddy clips (V-Hooks), one at each end of the fixture. Ensure that the caddy clips are oriented as per image A. Use pliers to close off end such that the clips cannot be removed.



3. Attach an S-Hook to the top of the caddy clip and then attach the other side of the S-Hook to the jack chain (minimum #10 size). Use pliers to 'close' off the ends of the S-Hook onto the caddy clip and jack chain (minimum S-Hook size 1.625" long, 0.135" thick with 0.5" ID in steel).

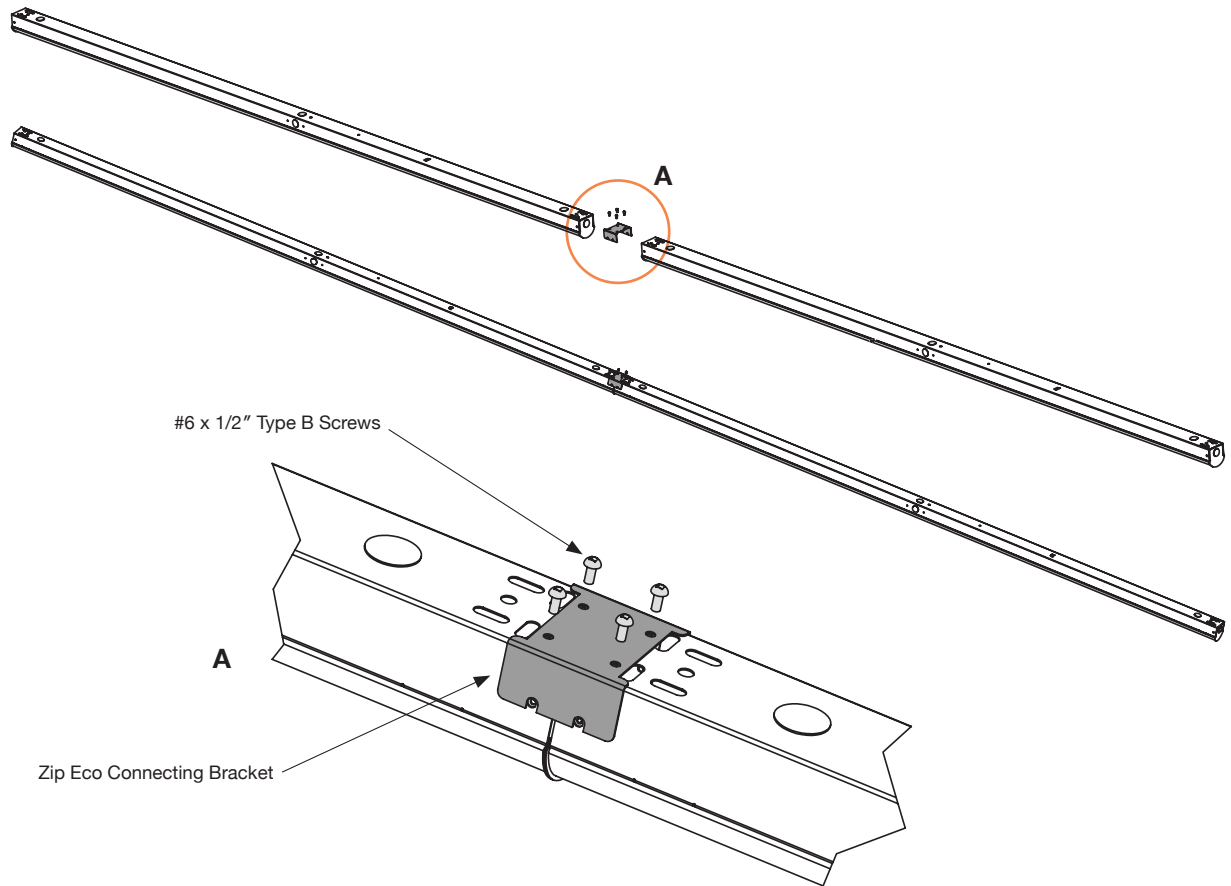


4. At the top of the jack chain attach an S-Hook to the jack chain and the other end of the jack chain to an eye lag screw. The installer should choose the proper eye lag screw as there are different types used for wood, steel, and concrete. Minimum eye lag screw should be #12 size.



5.
  - Pull the existing 18/3 AWG or 16/3 AWG wire from the Zip Eco fixture into the junction box. Use a strain relief on the access plate if required. Connect the appropriate wires using wire nuts (Black to Black, White to White, and Green to Ground wire). Ensure the ground wire is also grounded to the junction box using a ground screw. The 18-3 AWG or 16-3 AWG wire from the Zip Eco fixture can be tie wrapped to the jack chain but also has to be independently supported to the ceiling or roof. Check to see if the Zip Eco fixture is securely in place and that the jack chain is properly attached to the ceiling and the fixture.
6.
  - Ensure Zip Eco fixture is connected to a timer, relay system, motion detector or switch so that it can be activated easily.
7.
  - Check all connections for open loops and replace loose or damaged wires if necessary.
8.
  - Turn the electrical power on from the electrical panel. Test the connection by turning on the timer, relay system, motion detector, or light switch that the Zip Eco fixture is connected to.

### Continuous Run Installation



This document is the exclusive property of delviro energy inc. It is supplied in confidence and must not be used for any purpose other than for which it is supplied. No disclosure, reproduction or use of any part of the enclosed may be made except by permission from delviro energy inc.

Specifications subject to change without notice.

© delviro energy

delviro.com