

# DTL Ring

## Driver Replacement Instruction Manual

### Safety & Warnings:

*Failure to follow these instructions and warnings may result in death, serious injury or significant property damage.*

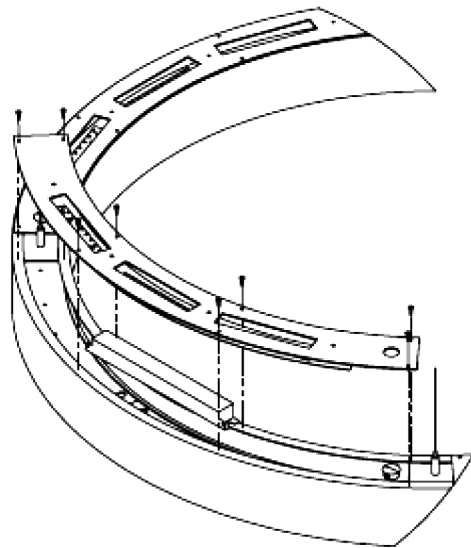
**Warning: Risk of Fire and Electrical Shock. Fixture must be installed by a qualified electrician only in accordance with National, Local Building, and Electrical Codes. Disconnect power at the electrical panel before servicing.**



General contractor is responsible for the installation of appropriate anchors to support the load of the fixture at positions detailed in the installation manual. Installation of such anchors or other support systems must be completed in accordance with applicable building/ installation code.

### Steps

1. • Ensure the power to the fixture's circuit is turned off.
2. • Both drivers for direct and indirect light are in the top compartment of the fixture.
3. • Remove the screws that hold the top plate/s. Keep the hardware for future use. Make sure you don't pull on the wires as you remove the indirect light assembly from the fixture.
4. • Locate the driver that needs replacing. Disconnect the driver by pushing with a pointed object on the driver terminals. Remember the wire connections/colors.
5. • Remove the hex nuts and washers holding the driver in place.
6. • Replace the damaged driver and redo the wire connections by pushing the wires in the respective terminals on the driver.
7. • Test that the fixture works properly.
8. • Attach the driver in the driver box using the previously removed nuts and washers.
9. • Replace the cover plate/assembly on the fixture making sure the wires are routed properly so they don't get damaged. Fix the top plate using the screws previously removed.



This document is the exclusive property of delviro energy inc. It is supplied in confidence and must not be used for any purpose other than for which it is supplied. No disclosure, reproduction or use of any part of the enclosed may be made except by permission from delviro energy inc.

Specifications subject to change without notice.

© delviro energy