

DTL T-Grid

Driver Replacement Instruction Manual

Safety & Warnings:

Failure to follow these instructions and warnings may result in death, serious injury or significant property damage.

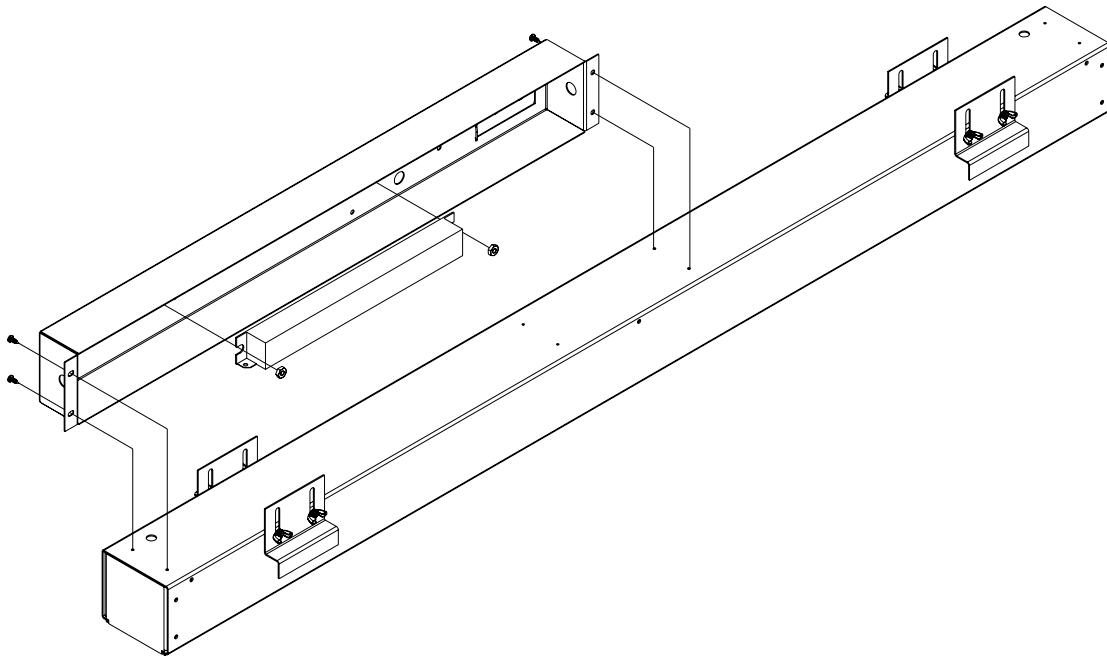
Warning: Risk of Fire and Electrical Shock. Fixture must be installed by a qualified electrician only in accordance with National, Local Building, and Electrical Codes. Disconnect power at the electrical panel before servicing.



General contractor is responsible for the installation of appropriate anchors to support the load of the fixture at positions detailed in the installation manual. Installation of such anchors or other support systems must be completed in accordance with applicable building/ installation code.

Steps

1.
 - Ensure the power to the fixture's circuit is turned off.
2.
 - Remove the fixture from the ceiling.
3.
 - Locate the driver box on top of the fixture and remove the mounting screws. Keep the screws.
4.
 - Disconnect the driver by pushing with a pointed object on the driver terminals. Remember the wire connections/colors.
5.
 - Remove the hex nuts and washers holding the driver in the box.
6.
 - Replace the damaged driver and redo the wire connections by pushing the wires in the respective terminals on the driver.
7.
 - Test that the fixture works properly.
8.
 - Attach the driver in the driver box using the previously removed nuts and washers.
9.
 - Replace the cover on the fixture using the 6 screws previously removed.
10.
 - Position the fixture back in the ceiling.



This document is the exclusive property of delviro energy inc. It is supplied in confidence and must not be used for any purpose other than for which it is supplied. No disclosure, reproduction or use of any part of the enclosed may be made except by permission from delviro energy inc.

Specifications subject to change without notice.

© delviro energy