

Date	Fixture	Project	Quantity
------	---------	---------	----------

# Zip

## Linear Strip Light

### Features

- LED linear light fixture
- Pendant and surface mounting options
- 2', 4', and 8' lengths
- Continuous run options
- Enclosed lens prevents penetration of dust, insects, and other debris into the lamp compartment
- Dry and damp rated
- Designed and Manufactured in North America
- 5 Year Warranty



### Specifications

#### Construction

Aluminum Housing  
Powder Coated Finish

#### Dimensions:

Zip 2: 3.972"W x 2.597"H x 23.77"L  
Zip 4: 3.972"W x 2.597"H x 46.5"L  
Zip 8: 3.972"W x 2.597"H x 91.4"L

#### LED

Samsung LM281B Plus Pro, 3-Step MacAdam Binning  
200,000+ Life Hours (L70)

#### Efficacy

Zip 2: Up to 142 Lm/W  
Zip 4: Up to 155 Lm/W  
Zip 8: Up to 158 Lm/W

#### Watts

Zip 2: 20W, 30W  
Zip 4: 20W - 100W  
Zip 8: 40W - 120W

#### Color Temperature

3000K - 5000K

#### CRI

80 or 90

#### Voltage

120/277V or 347V

#### Controls

0-10V Dimming down to 1%

#### Operating Temperature

-35°C to +45°C | -31°F to +113°

#### Lens

Frosted, Polycarbonate, Acrylic

#### Mounting

Aircraft Cable (10' std)  
V-Hooks  
Surface

#### Accessories

Occupancy Sensor (on/off)  
Integral Programmable Microwave Sensor  
10kV Surge Protection  
Emergency Battery  
Wire Guard  
Reflector

#### Wiring

Black or White Flexible Cord  
Internal

#### Finishes

White - RAL 9003

#### Certifications

DLC  
cULus

Not all products are qualified on the DLC QPL. To view our DLC qualified products, please consult the DLC qualified products list at [www.designlights.org/qpl](http://www.designlights.org/qpl).



## Ordering Guide

Sample Configuration: Zip - 8 - 60 - 80 - 4K - U - FR - WH - V - BFC - N

<b>ZIP</b>									
Model	Length	Watts	CRI	Color Temp	Voltage	Lens	Finish	Mounting	Wiring
Accessories									

Model	Length	Watts	CRI	Color Temp	Voltage	Lens	Finish
ZIP	2	20, 30	80	3K - 3000K	U - 120/277V	FR - Frosted <i>Optional</i> CL - Clear PC - Polycarbonate CL - Clear (Shatterproof Polycarbonate)	WH - White
	4	20, 30, 40, 60, 80, 100	90	35K - 3500K	H - 347V		
	8	40, 60, 80, 100, 120		4K - 4000K 5K - 5000K			

Mounting	Wiring	Accessories
<b>AC</b> - Aircraft Cable 6' std <b>V</b> - V Hooks <b>SU</b> - Surface <i>Optional</i> <b>CR</b> - Continuous Run	<b>IN</b> - Internal <b>BFC</b> - Black Flexible Cord <b>WFC</b> - White Flexible Cord	<b>N</b> - None <i>Optional</i> <b>OCC</b> - Occupancy Sensor (on/off) <b>EM</b> - Emergency Battery <b>10kV</b> - 10kV Surge Protection <b>MICRO</b> - Microwave Sensor -External (with BLD and Daylight Harvesting options) <b>WG</b> - Wire Guard <b>RFL</b> - Reflector

Note: For custom configurations please contact factory

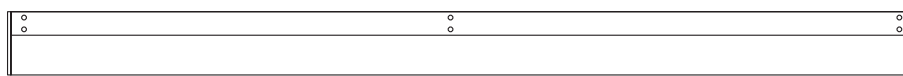
## Dimensions



W: 3.972"  
H: 2.597"



W: 11.03"  
H: 2.597"  
Zip w/ Reflector



L: 2': 23.77", 4': 46.5", 8': 91.4"

## Output Performance at 4K

Model	Watts	Lm/W	Delivered Lumens
Zip 2 20	20.63	141.88	2927
Zip 2 30	30.95	141.87	4391

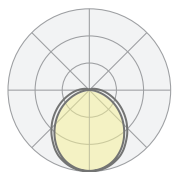
Model	Watts	Lm/W	Delivered Lumen
Zip 4 20	18.90	150.26	2840
Zip 4 30	29.08	153.30	4458
Zip 4 40	39.26	154.74	6075
Zip 4 60	59.14	152.96	9046
Zip 4 80	79.26	153.28	12149
Zip 4 100*	99.20	153.74	15251

Note: Zip 4 100 - 120/277V Only

Model	Watts	Lm/W	Delivered Lumens
Zip 8 40	39.26	157.62	6188
Zip 8 60	59.24	155.09	9172
Zip 8 80	79.26	154.67	12259
Zip 8 100*	99.38	154.42	15346
Zip 8 120	119.26	154.42	18416

Note: Zip 8 100 - 120/277V Only

## Photometrics



Zip 4-100, 4K  
Frosted Lens

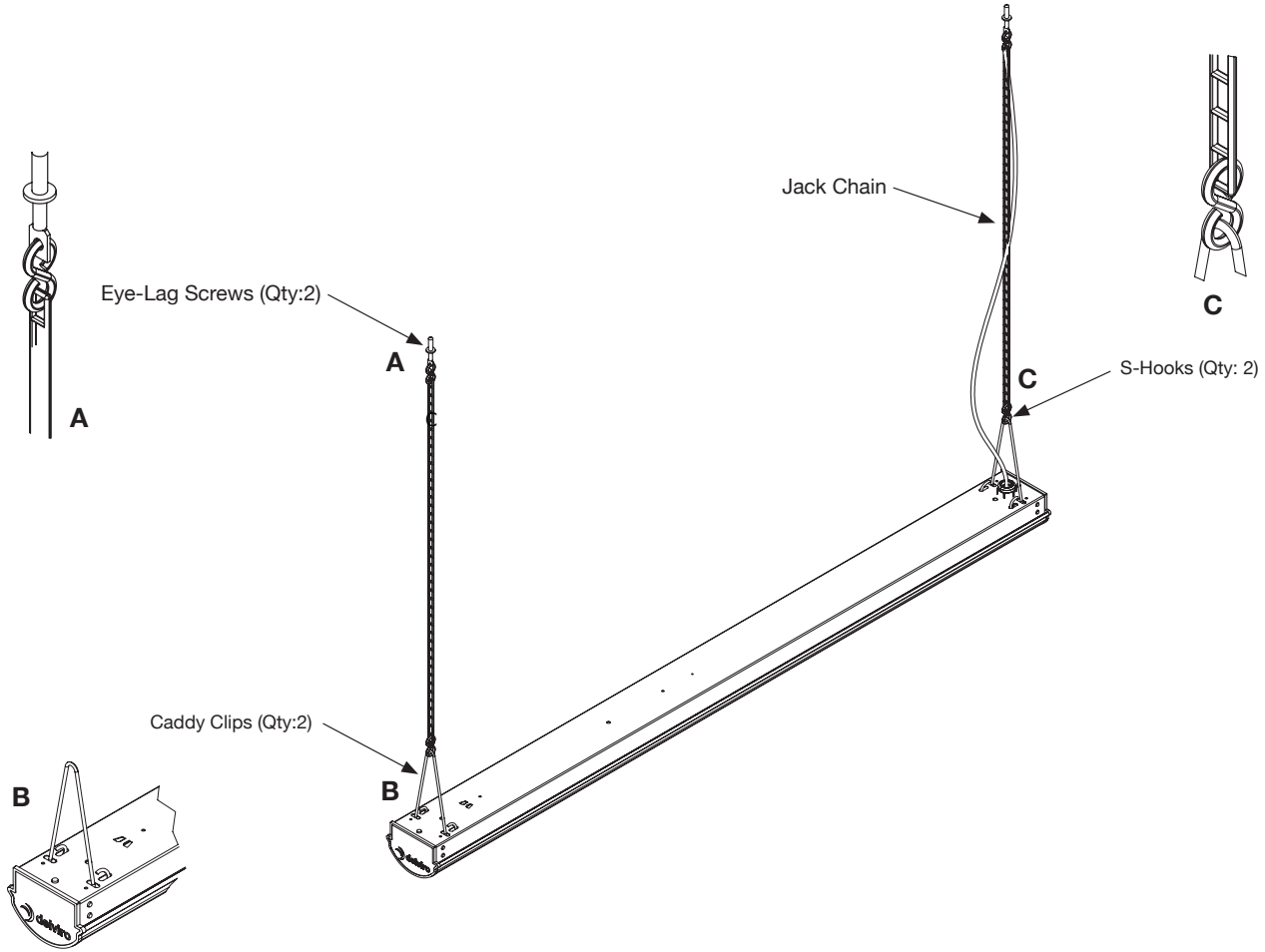
### ZONAL LUMEN SUMMARY

Zone	Lumens	% of Fixture
0° - 30°	3842	26%
0° - 60°	10818	73%
0° - 90°	14325	96%
90° - 120°	523	4%
90° - 150°	565	4%
90° - 180°	565	4%
0° - 180°	14890	100%
20° - 50°	6821	46%

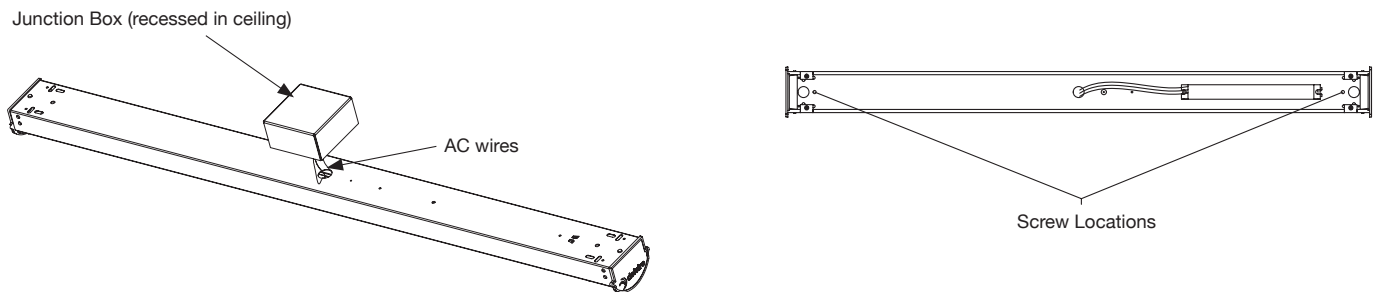
### ZONAL LUMEN SUMMARY

Zone	Lumens
0° - 10°	478
10° - 20°	1346
20° - 30°	2018
30° - 40°	2382
40° - 50°	2422
50° - 60°	2173
60° - 70°	1709
70° - 80°	1150
80° - 90°	648
90° - 100°	313
100° - 110°	147
110° - 120°	63
120° - 130°	26
130° - 140°	11
140° - 150°	4
150° - 160°	1
160° - 170°	0
170° - 180°	0

### Pendant Mounting



### Surface Mounting



## Continuous Run Installation

