

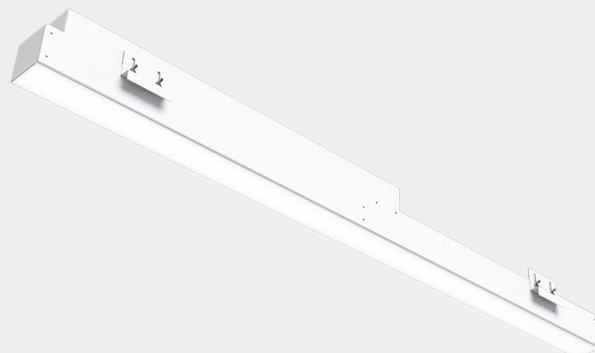
Date	Fixture	Project	Quantity
------	---------	---------	----------

Thinline DTL

Recessed T-Grid

Features

- Architectural luminaire. Contemporary and minimal design
- T-Grid installation
- 3 widths with multiple lengths
- Continuous run option Dry and damp rated for indoor applications
- Designed and Manufactured in North America
- 5 Year Warranty



Specifications

Construction

Aluminum Housing
Powder Coated Finish

Dimensions

Widths: 2.25", 3.18", 4.5"

Height: 5"

Lengths (single units): 2' - 8', available in 6" increments

Continuous Run: Min 2', available in 6" increments

(100' max for one power drop)

LED

Samsung LM281B Plus Pro, 3-Step MacAdam Binning

4000K - 130 Lm/W

3500K - 98%

3000K - 95%

L90>70,000

Lumens/Ft

Min: 250 Lm/ft - Max: 1200 Lm/ft

Color Temperature

2700K - 5000K

CRI

80 or 90

Voltage

120/277V or 347V

Driver

0-10V Dimming down to 1%, DALI, Lutron, Philips SR, ELDO

Control Options

Philips SNS 300, Encelium CLM, LG Dongle, Bluetooth Mesh, Enlighted Integral

Lens

Frosted Flat (std), Frosted Regressed, Clear, Louver (w/ frosted regressed lens)

Accessories

10kV Surge Protection, Generator Transfer Device, Emergency Battery

Mounting

Recessed T-Grid

Wiring

5 Leads

5 Wire

6 Wire (emergency battery option only)

Finishes

White - RAL 9003

Certifications

DLC

cULus

Not all products are qualified on the DLC QPL. To view our DLC qualified products, please consult the DLC qualified products list at www.designlights.org/qpl.



Ordering Guide

Sample Configuration: DTL REC TG - 3.18 - 8 - D500 - 80 - 4K - U - FR - WH - DIMOFF - N - N

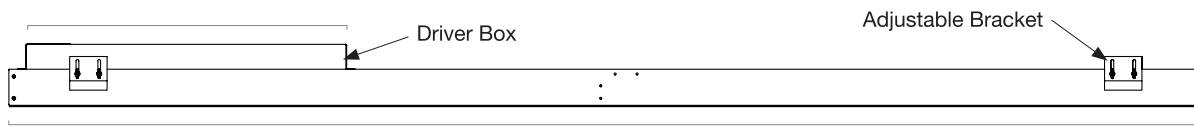
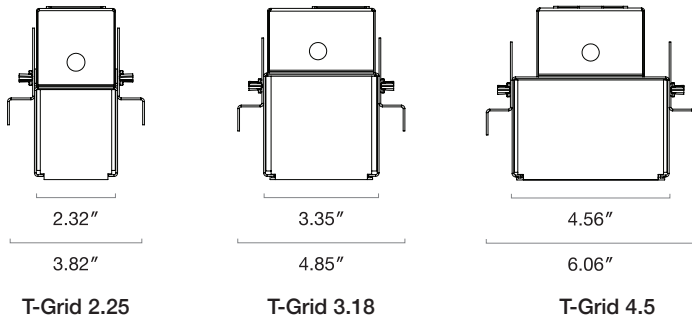
DTL REC TG								WH	
Model	Width	Length/CR	Direct Lm/Ft	CRI	Color Temp	Voltage	Lens	Finish	Driver
Controls	Accessories								

Model	Width	Length/CR	Direct Lm/Ft	CRI	Color Temp	Voltage
DTL REC TG	2.25 3.18 4.5	2' - 8' (single Units) Available in 6" increments CR - Continuous Run - Min 2', available in 6" increments - Specify Length	D250 (min) - D1200 (max)	80 90	27K - 2700K 3K - 3000K 35K - 3500K 4K - 4000K 5K - 5000K	U - 120/277V H - 347V

Lens	Finish	Driver	Controls
FR - Frosted Flat Optional FFREG - Frosted Regressed ASY - Asymmetric Clear LVR - Louver (w/ frosted regressed lens)	WH - White	DIMOFF - 0-10V Dimming down to 1% Optional DALI - Digital Addressable Lighting Interface LUTRON - Lutron Ecosystem SR - Philips SR ELDO - Dim to 0.11% ELDO (347 only 1-10 5%)	N - None Optional SNS - Philips SNS 300 w/BLD & Daylight CLM - Encelium CLM LG - LG Dongle BT - Bluetooth Mesh EN - Enlighted Integral

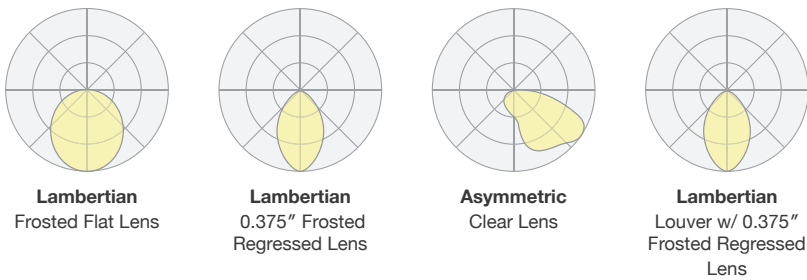
Accessories
N - None Optional 10kV - 10kV Surge Protection EM - Emergency Battery (5 or 6 Wire*) +GTD - Generator Transfer Device Note: EM - 2.25" & 3.18" models - min length 4', 4.5" model - min length 2'

Dimensions

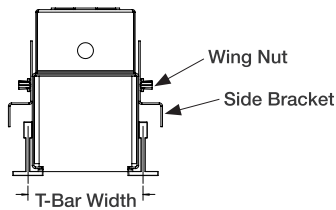


2': 23.75", 3': 35.75", 4': 47.75", 5': 59.75", 6': 71.75", 7': 83.75", 8': 95.75"

Distribution/Lens Options



Mounting



	T-Grid 2.25	T-Grid 3.18	T-Grid 4.5
Fixture Width	2.32"	3.35"	4.56"
T-Bar Width Range	2.6" - 3.47"	3.62" - 4.5"	4.75" - 5.62"