

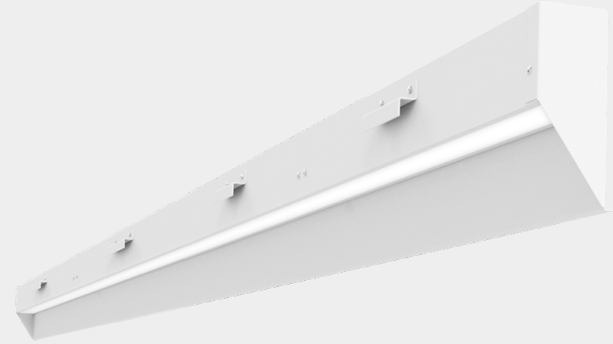
Date	Fixture	Project	Quantity
------	---------	---------	----------

Thinline DTL

Recessed Perimeter

Features

- Flushed, stylish, and seamless recessed lighting
- Formed aluminum housing
- Baked white enamel finish
- 2.25" wide with multiple length options
- Continuous run with lit corners
- Modular approach
- Dry and damp rated for indoor applications
- Designed and Manufactured in North America
- 5 Year Warranty



Specifications

Construction

Formed Aluminum Construction

Dimensions

Width: 2.25"

Height: 6"

Modular: 2', 3', 4'

Continuous Run: Min 2', available in 6" increments (100' max for one power drop)

LED

Samsung LM281B Plus Pro, 3-Step MacAdam Binning

4000K - 130 Lm/W

3500K - 98%

3000K - 95%

L90>70,000

Lumens/Ft

Min: 250 Lm/ft - Max: 1200 Lm/ft

Color Temperature

2700K - 5000K

CRI

80 or 90

Voltage

120/277V or 347V

Driver

0-10V Dimming down to 1%, DALI, Lutron, Philips SR, ELDO

Control Options

Philips SNS 300, Encelium CLM, LG Dongle, Bluetooth Mesh, Enlighted Integral

Lens

Frosted

Accessories

10kV Surge Protection, Generator Transfer Device, Emergency Battery

Mounting

T-Grid

Spackle Flange (drywall)

No Flange (drywall)

Wiring

5 Leads

Finishes

White - RAL 9003

Certifications

cULus



Ordering Guide

Sample Configuration: DTL PR - 2.25 - 8 - D500 - 80 - 4K - U - FR - WH - TG - DIMOFF - N - N - N - 0 - 0

DTL PR	2.25						FR	WH	
Model	Width	Length/CR	Direct Lm/Ft	CRI	Color Temp	Voltage	Lens	Finish	Mounting
Driver	Controls	Accessories	Wiring	Lit Corner Inside	Lit Corner Outside				

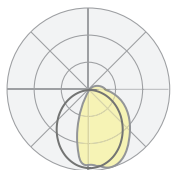
Model	Width	Length/CR	Direct Lm/Ft	CRI	Color Temp	Voltage
DTL PR	2.25	Modular (single Units): 2', 3', 4' Available in 6" increments CR - Continuous Run - Min 2', available in 6" increments - Specify Length Note: Custom configurations available - consult factory	D 250 (min) - D 1200 (max)	80 90	27K - 2700K 3K - 3000K 35K - 3500K 4K - 4000K 5K - 5000K	U - 120/277V H - 347V

Lens	Finish	Mounting	Driver	Controls
FR - Frosted	WH - White	T-Grid - T-Grid SPK - Spackle Flange NFL - No Flange	DIMOFF - 0-10V Dimming down to 1% Optional DALI - Digital Addressable Lighting Interface LUTRON - Lutron Ecosystem SR - Philips SR ELDO - Dim to 0.11% ELDO (347 only 1-10 5%)	N - None Optional SNS - Philips SNS 300 w/BLD & Daylight CLM - Encelium CLM LG - LG Dongle BT - Bluetooth Mesh EN - Enlighted Integral

Accessories	Wiring	Lit Corner Inside	Lit Corner Outside
N - None Optional 10kV - 10kV Surge Protection EM - Emergency Battery* +GTD - Generator Transfer Device Note: EM - Minimum length 4'	N - 5 Leads (Internal)	QTY ____ 1' x 1' - on center line	#QTY ____

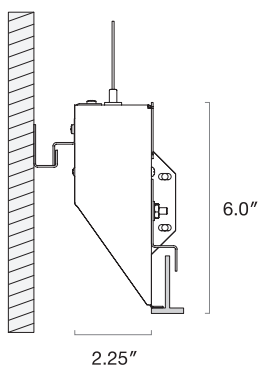
Photometrics

Zonal Lumen Summary



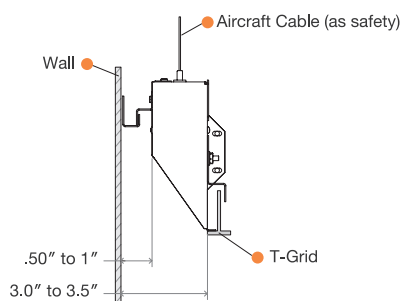
Zone	Lumens	% of Fixture	Zone	Lumens
0° - 30°	879	29%	0° - 10°	123
0° - 60°	2133	71%	10° - 20°	326
0° - 90°	2831	94%	20° - 30°	430
90° - 120°	170	6%	30° - 40°	445
90° - 150°	185	6%	40° - 50°	427
90° - 180°	185	6%	50° - 60°	382
0° - 180°	3016	100%	60° - 70°	321
20° - 50°	1303	43%	70° - 80°	237
			80° - 90°	140
			90° - 100°	85
			100° - 110°	56
			110° - 120°	29
			120° - 130°	12
			130° - 140°	2
			140° - 150°	0
			150° - 160°	0
			160° - 170°	0
			170° - 180°	0

Dimensions

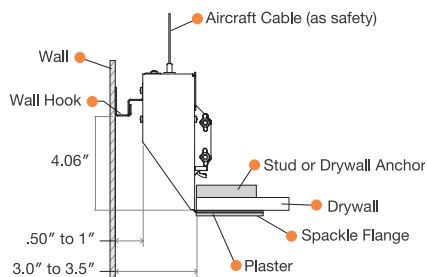


Modules: 2', 3', 4'

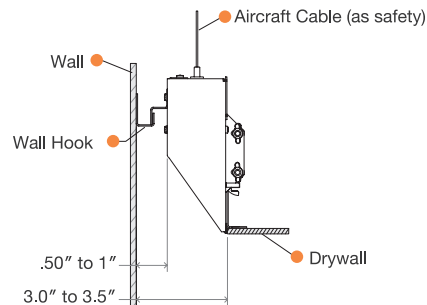
Mounting Options



T-Grid

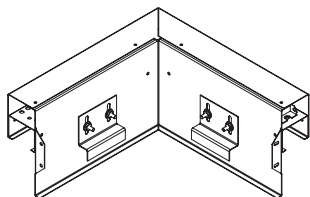


Spackle Flange

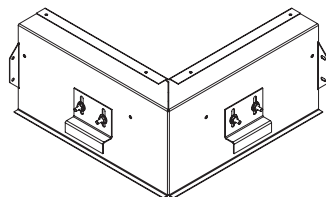


No Flange

Lit Corners



Lit Corner Inside



Lit Corner Outside

Lit Corner Assembly

