

# Thinline

## Recessed SPK

Installation Manual | Models: 2.25, 3.18, 4.5

### Safety & Warnings:

Failure to follow these instructions and warnings may result in death, serious injury or significant property damage.



**Warning: Risk of Fire and Electrical Shock.** Fixture must be installed by a qualified electrician only in accordance with National, Local Building, and Electrical Codes. Disconnect power at the electrical panel before servicing.

General contractor is responsible for the installation of appropriate anchors to support the load of the fixture at positions detailed in the installation manual. Installation of such anchors or other support systems must be completed in accordance with applicable building/installation code.

#### Note:

In order to connect fixtures in series, the electrical connection has to be done in a junction box outside the fixture only.

We do not provide warranty to any fixture that is not connected properly.

Prior to installation, prepare ceiling cutout according to the below table. If custom sizing, refer to approval drawings. For continuous run length add 1/2" to the total length of the run.

Length	2'	3'	4'	5'	6'	7'	8'
Cutout Length	24.5"	36.5"	48.5"	60.5"	72.5"	84.5"	96.5"
Cutout Width	DTL 2.25 - 2.5"		DTL 3.18 - 3.45"		DTL 4.5 - 4.75"		

### Steps

1. On the top of fixture (Fig. 1), prepare the wiring of the fixture through the access plate shown below.

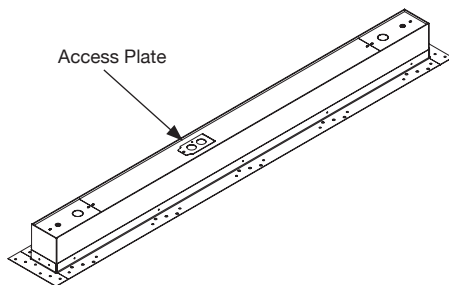


Fig.1

2. Carefully lift the fixture toward the drywall ceiling space and connect fixture to main power according to wiring diagram and applicable electrical code.

If required, aircraft suspension cables can be included to support the fixture during this step.

3. Test the fixture connections by turning the fixture on and off.
4. Fit the fixture into the pre-cut drywall ceiling space and secure to the surface by driving applicable screws through the holes in the flange and into the drywall (Fig. 2).

**NOTE:** Wood blocking or drywall anchors are required to reinforce the screws to the drywall.

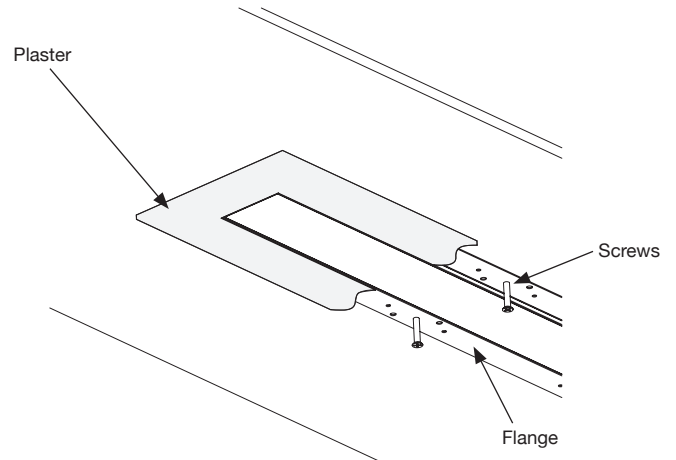


Fig. 2

#### If Continuous Run

Prior to fastening to the drywall, complete the electrical connection between segments. Position segments such that the joint between fixtures is secured with no visible gaps. Fasten as per Step 4.

5. Plaster and sand over spackle flange in order to create a smooth finish with the drywall surface.
6. Turn on the fixture

This document is the exclusive property of delviro energy inc. It is supplied in confidence and must not be used for any purpose other than for which it is supplied.

No disclosure, reproduction or use of any part of the enclosed may be made except by permission from delviro energy inc.

Specifications subject to change without notice.

© delviro energy