

# Thinline 2.25

## Surface Mount

### Installation Manual

#### Safety & Warnings:

Failure to follow these instructions and warnings may result in death, serious injury or significant property damage.

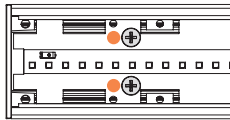


**Warning: Risk of Fire and Electrical Shock. Fixture must be installed by a qualified electrician only in accordance with National, Local Building, and Electrical Codes. Disconnect power at the electrical panel before servicing.**

General contractor is responsible for the installation of appropriate anchors to support the load of the fixture at positions detailed in the installation manual. Installation of such anchors or other support systems must be completed in accordance with applicable building/installation code.

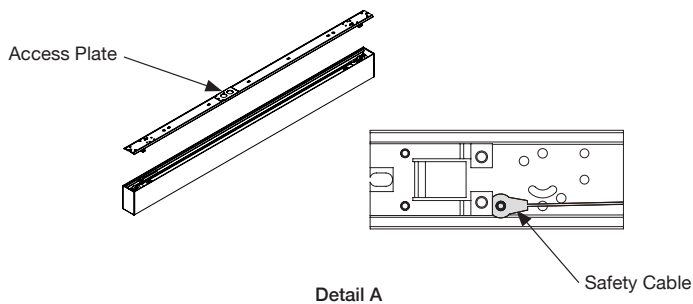
#### Steps

1.
  - Ensure the power to be connected to the fixture is turned off.
  - Remove Snap-In-Lens.
  - Remove the 2 screws shown below on both ends of the fixture (6ft to 8ft fixtures have an additional 2 screws in the center of the fixture). Set Aside for later use.



● Screws

2.
  - Separate the top plate subassembly from the body of the fixture.
  - Remove the safety cable from the top subassembly (**DETAIL A**).
  - Remove knockout(s) in access plate to connect power conduit. Bare wires provided inside fixture.



3.
  - Secure the top plate to the mounting surface using 1/4" screws (provided by others) through the holes as required Note: Mounting holes are positioned at the center of each top plate and repeat every 8 inches bi-directional. If additional support is required, mount through any available hole in the top plate.

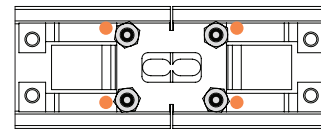
#### If Continuous Run

- Use the provided joining plate (pre-assembled to one side of the fixture joint) and 6 - #8-32UNC Hex Nuts (provided) to secure and position the two adjacent top plates to each other. The joining plate will assemble on top of the existing brackets, as shown below.
- Secure adjacent top plate to the surface as per step 3.
- Repeat for any remaining continuous run joints.



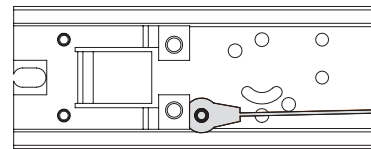
Mounting Hole

4.
  - Reinstall the safety cable to the top subassembly on both sides of the fixture(s) through the slot circled below.
  - Connect fixture wiring to main power (according to wiring diagram) through the access plate.

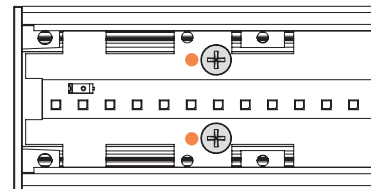


● #8-32UNC

5.
  - Lift frame(s) onto top subassembly. Ensure the safety cables and power wires are not pinched between frame and top plate.
  - Magnetized plates will position the frame against the top subassembly. Note: The magnetized plates are intended to help position and support the fixture during assembly; **the magnetized support force is not a replacement for the structural support.**



6.
  - Ensure the top plate is centered to the frame and that the frame sits flush to the surface.
  - Using the screws removed in STEP 1, secure the frame to the top subassembly through the same holes in the frame. Ensure the fixture is located correctly (magnets will lightly support the frame and screws will fasten easily).



● Screws

### If Continuous Run

- From the bottom of the fixture, slide the joining bracket onto the two flanges of the preinstalled bottom brackets and secure using two #6-32 screws (Fig. 2). Repeat this process on the opposite side of the fixture.

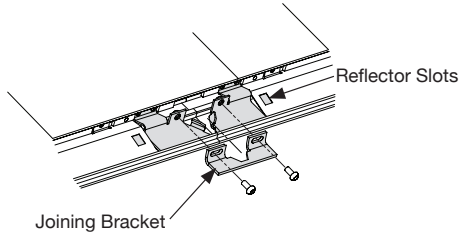


Fig. 2

7.
  - Re-install the Snap-In-Lens.
  - Turn on power to fixture.

This document is the exclusive property of delviro energy inc. It is supplied in confidence and must not be used for any purpose other than for which it is supplied.

No disclosure, reproduction or use of any part of the enclosed may be made except by permission from delviro energy inc.

Specifications subject to change without notice.

© delviro energy

delviro.com