

Zip Cloud

Surface Mount

Installation Manual

Safety & Warnings:

Failure to follow these instructions and warnings may result in death, serious injury or significant property damage.



Warning: Risk of Fire and Electrical Shock. Fixture must be installed by a qualified electrician only in accordance with National, Local Building, and Electrical Codes. Disconnect power at the electrical panel before servicing.

General contractor is responsible for the installation of appropriate anchors to support the load of the fixture at positions detailed in the installation manual. Installation of such anchors or other support systems must be completed in accordance with applicable building/installation code.

Steps

1.
 - Ensure the power to be connected to the fixture is turned off
2.
 - Prepare junction box at mounting location (by others). ensure existing AC wires are present. Install the supplied junction box crossbar assembly to the junction box as shown below (Fig. 1).

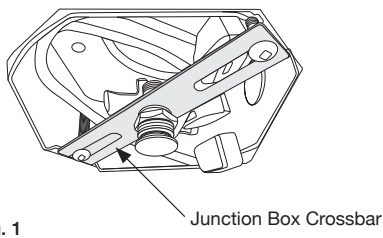


Fig. 1

3.
 - Remove the Zip Cloud fixture from its shipping box and place on flat surface (Fig. 2).

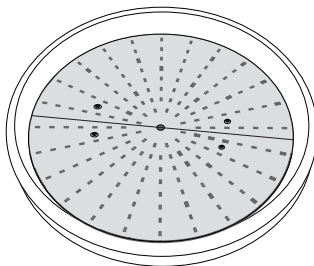
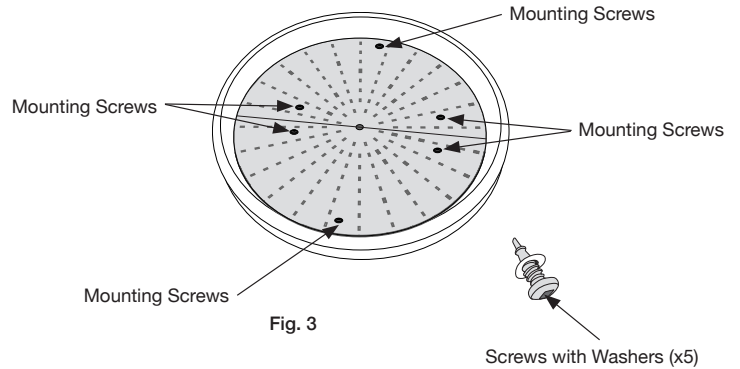
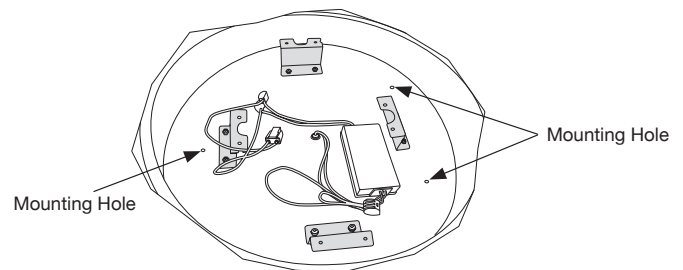


Fig. 2

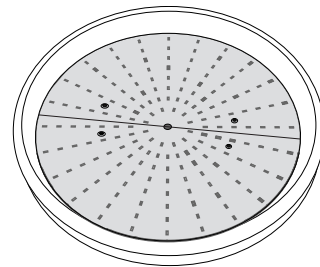
4.
 - Remove the 6 black mounting screws and nylon washers identified below and remove both LED panels.



5.
 - From the top of the fixture, use the small access plate to connect the fixture power wires to main power according to applicable national electrical code.
6.
 - Locate the surface mounting holes on the fixture (shown below).
 - Use applicable #10 or #12 screws in order to appropriately secure fixture to mounting surface.



7.
 - Re-install the LED panels using the screws and nylon washers removed in STEP 4. Ensure no wires are pinched during the process.



8.
 - Insert the circular lens into the fixture frame and drop onto the frame supports. Peel away the protective plastic film from the lens.

This document is the exclusive property of delviro energy inc. It is supplied in confidence and must not be used for any purpose other than for which it is supplied.

No disclosure, reproduction or use of any part of the enclosed may be made except by permission from delviro energy inc.

Specifications subject to change without notice.

© delviro energy