

# Zip Cloud

## Recessed

Installation Manual | Models: 18", 24", 36", 44"

### Safety & Warnings:

Failure to follow these instructions and warnings may result in death, serious injury or significant property damage.



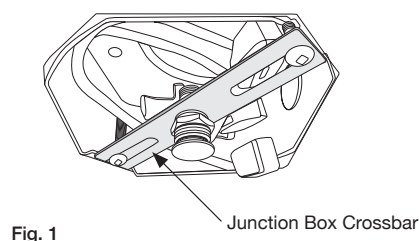
**Warning: Risk of Fire and Electrical Shock.** Fixture must be installed by a qualified electrician only in accordance with National, Local Building, and Electrical Codes. Disconnect power at the electrical panel before servicing.

General contractor is responsible for the installation of appropriate anchors to support the load of the fixture at positions detailed in the installation manual. Installation of such anchors or other support systems must be completed in accordance with applicable building/installation code.

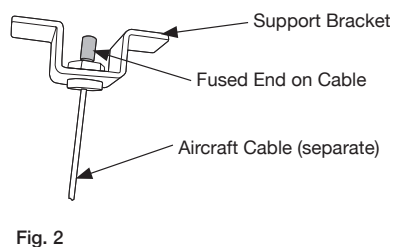
### Steps

**Pre-Installation:** Prior to installation, prepare cutout in drywall ceiling according to the model number size (i.e. For a Zip Cloud 18 fixture, prepare a cutout 18" wide).

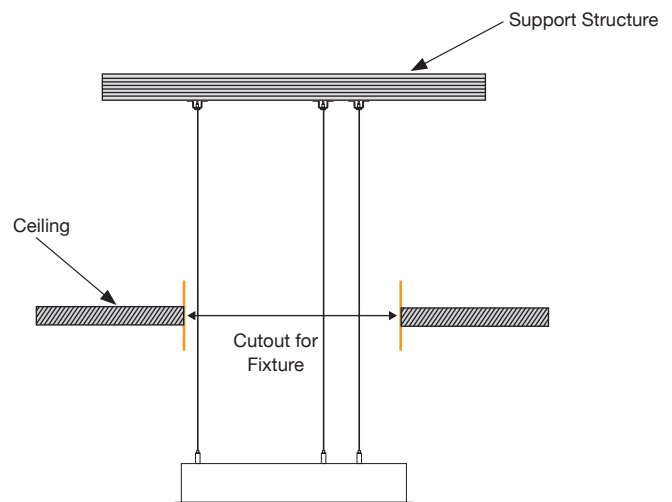
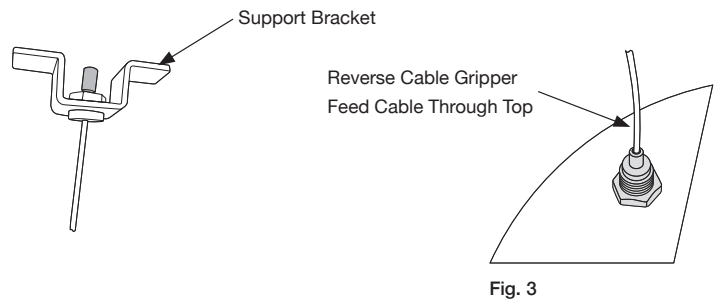
1. Ensure the power to be connected to the fixture is turned off
2. Prepare junction box at mounting location (by others). ensure existing AC wires are present. Install the supplied junction box crossbar assembly to the junction box as shown below (Fig. 1).



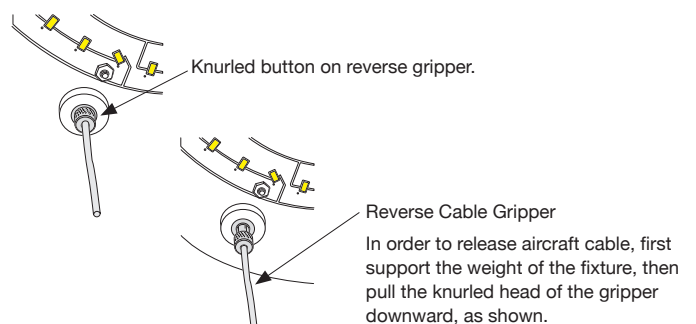
3. Unwrap the supplied aircraft cables (3pcs or 5pcs) and feed each cable through the supplied ceiling support brackets (Fig. 2) with the fused end of the cable on the inside of the support bracket.



4.
  - Mount ceiling support brackets to a structural surface above the ceiling, using an appropriate method (wood blocking or drywall anchors) as shown below.
  - Feed the open end of each cable through the top of the appropriate reverse cable grippers (Fig. 3).
  - The Zip Cloud fixture should be parallel to the floor.

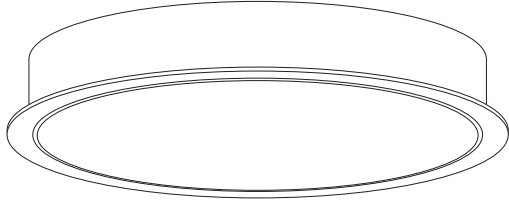


5. Use the access plate on the back of the fixture in order to connect fixture power wires to main power supply, according to applicable national electrical code.
6. Check all connections for open loops and replace loose/damaged wires and turn on fixture power to ensure the fixture illuminates. Turn off power.
7.
  - From the bottom of the fixture, locate the aircraft cables protruding from the reverse cable grippers.
  - Ensure the knurled heads of the grippers are tightened to the gripper body, shown below
  - In order to raise the fixture into the ceiling cavity, firmly hold the aircraft cable while pushing the fixture upwards.
  - Repeat for all aircraft cable locations until fixture is in position.



**8.**

- Remove protective film before inserting the lens in the fixture
- Tilt and insert lens into the fixture body and drop onto the supports.
- Turn on fixture.



This document is the exclusive property of delviro energy inc. It is supplied in confidence and must not be used for any purpose other than for which it is supplied.

No disclosure, reproduction or use of any part of the enclosed may be made except by permission from delviro energy inc.

Specifications subject to change without notice.

© delviro energy

delviro.com