

Thinline 3.18

Recessed Trim

Installation Manual

Safety & Warnings:

Failure to follow these instructions and warnings may result in death, serious injury or significant property damage.



Warning: Risk of Fire and Electrical Shock. Fixture must be installed by a qualified electrician only in accordance with National, Local Building, and Electrical Codes. Disconnect power at the electrical panel before servicing.

General contractor is responsible for the installation of appropriate anchors to support the load of the fixture at positions detailed in the installation manual. Installation of such anchors or other support systems must be completed in accordance with applicable building/installation code.

Note:

In order to connect fixtures in series, the electrical connection has to be done in a junction box outside the fixture only.

We do not provide warranty to any fixture that is not connected properly.

Pre-Assembly

Prepare the drywall cutout according to the table below.

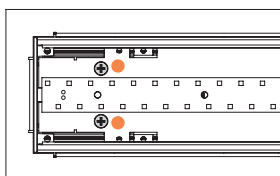
Mounting Locations

Stand Alone Fixture Length	Drywall Cutout Measurements
2'	3.9" x 24.5"
3'	3.9" x 36.5"
4'	3.9" x 48.5"
5'	3.9" x 60.5"
6'	3.9" x 72.5"
7'	3.9" x 84.5"
8'	3.9" x 96.5"

Note: For continuous run assemblies, the drywall cutout length is equal to the total fixture length plus 0.5".

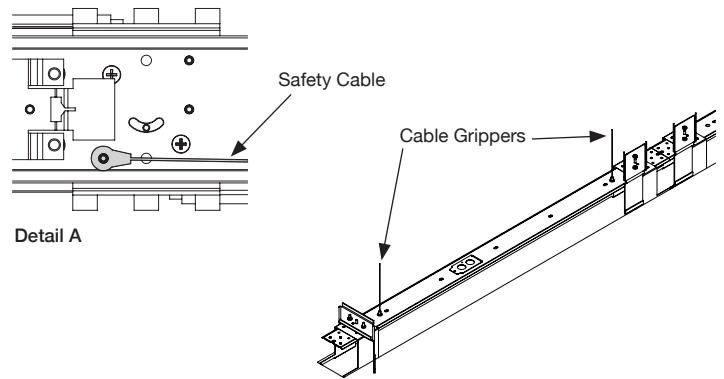
Steps

1.
 - Ensure the power to be connected to the fixture is turned off.
 - Remove snap-in lens.
 - Remove the 2 screws shown below on both ends of the fixture. (6' to 8' fixtures have an additional 2 screws in the center of the fixture).
 - Set aside the removed screws for later use.



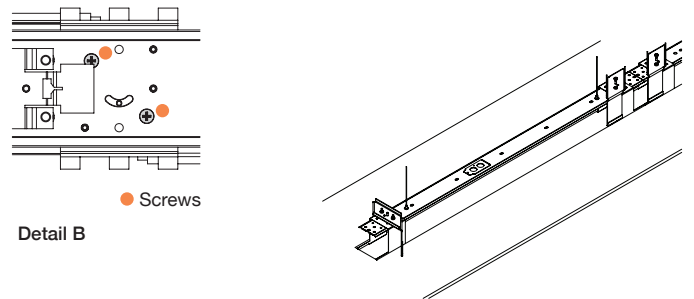
● Locking Screws

2.
 - With the screws removed, separate the top plate subassembly from the body of the fixture.
 - Remove the safety cable from the top subassembly (Detail A).
 - If required, install and connect aircraft cables through cable grippers.



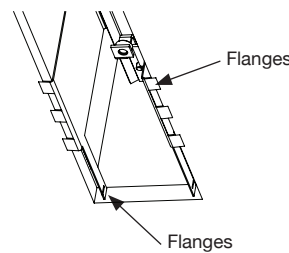
Detail A

3.
 - On the inside of the top plate subassembly, remove the screws from the mounting bracket shown below. Keep for use in the next step (Detail B).
 - Insert the separated top subassembly into the drywall cutout as shown below.

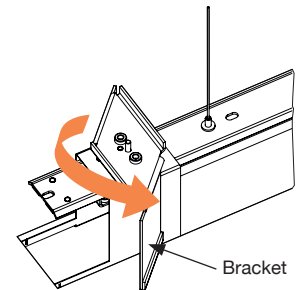


Detail B

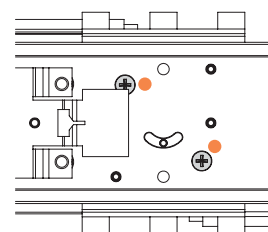
4.
 - While the top subassembly has been properly placed into the drywall:
 - Ensure flanges sit flush with the drywall (Detail C).
 - With the screws removed, rotate the mounting brackets outward (Detail D).
 - Re-install the screws into the mounting bracket (in position shown) and tighten to secure the bracket onto the drywall surface (Detail E).



Detail C



Detail D

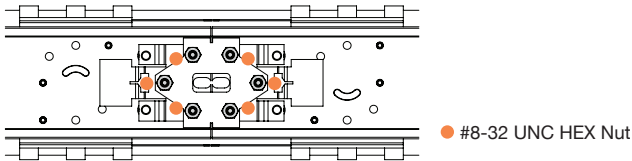


● Screws

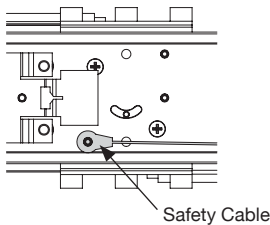
Detail E

If Continuous Run

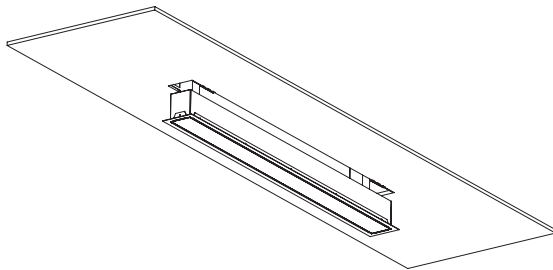
- Use the provided joining plate (pre-assembled to one side of the fixture joint) and 4, #8-32UNC Hex Nuts (provided) to secure and position the two adjacent top plates to each other.
- The joining plate will assemble on top of the existing brackets inside of the top plate assembly, shown below. Secure adjacent top plate to the surface as per STEP 4. However do not fully secure to the drywall.
- Fully secure adjacent top plate assembly to the drywall surface as per **Detail E** in STEP 4.
- Repeat for any remaining continuous run joints.



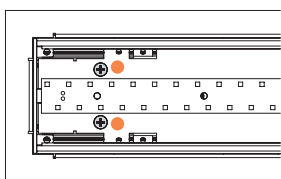
- 5.
- Re-install the safety cables to the top of the subassembly on both sides of the fixture(s).



- 6.
- Lift frame(s) onto top subassembly. Ensure the safety cables and power wires are not pinched between frame and top plate.
 - Magnetized plates will position the frame against the top subassembly.
- Note: the magnetized plates are intended to help position and support the fixture during assembly; the magnetized support force is not a replacement for the structural support.**



- 7.
- Ensure the top plate is centered to the frame and that the frame sits flush to the surface.
 - Using the screws removed in STEP 1, secure the frame to the top subassembly through the same holes in the frame. Ensure the fixture is located correctly (magnets will lightly support the frame and screws will fasten easily).



If Continuous Run

- From the bottom of the fixture, slide the joining bracket onto the two flanges of the bottom brackets and secure using two #6-32 screws (FIG.2). Repeat this process on the opposite side of the fixture joint.
- Replace joint reflector over brackets and into reflector slots.

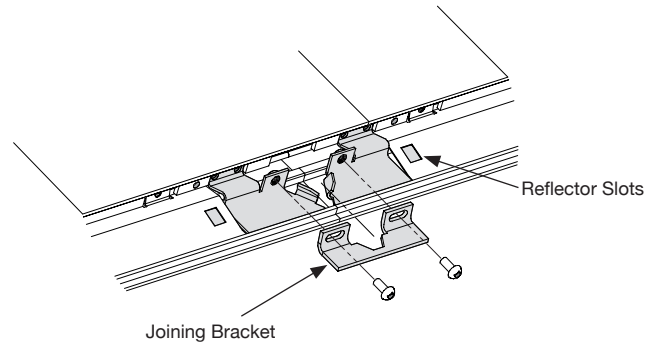


Fig. 2

- 8.
- Re-install the snap-in lens.
 - Turn on the power to the fixture.

This document is the exclusive property of delviro energy inc. It is supplied in confidence and must not be used for any purpose other than for which it is supplied.

No disclosure, reproduction or use of any part of the enclosed may be made except by permission from delviro energy inc.

Specifications subject to change without notice.

© delviro energy

delviro.com