

# Thinline

## T-Grid

Installation Manual | Models: 2.25, 3.18, 4.5

### Safety & Warnings:

Failure to follow these instructions and warnings may result in death, serious injury or significant property damage.



**Warning: Risk of Fire and Electrical Shock.** Fixture must be installed by a qualified electrician only in accordance with National, Local Building, and Electrical Codes. Disconnect power at the electrical panel before servicing.

General contractor is responsible for the installation of appropriate anchors to support the load of the fixture at positions detailed in the installation manual. Installation of such anchors or other support systems must be completed in accordance with applicable building/installation code.

### Steps

1.
  - Ensure the power to be connected to the fixture is turned off.
  - Prior to installation, ensure that the T-Bars (Fig. 1) are installed according to the below table.

	T-Grid 2.25	T-Grid 3.18	T-Grid 4.5
Fixture Width	2.32"	3.35"	4.56"
T-Bar Width Range	2.6" - 3.47"	3.62" - 4.5"	4.75" - 5.62"

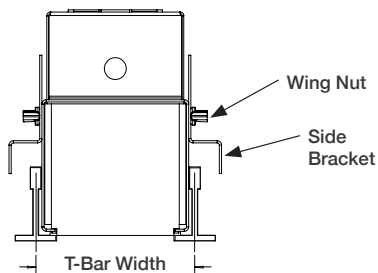


Table 1  
Fig. 1

2.
  - Adjust the height of the side bracket supports according to the T-Bar height by loosening the wingnuts, moving the side bracket and tightening wingnuts at new location.
3.
  - Drop the fixture into the T-Bar opening.
4.
  - Make appropriate electrical connections through the access plate on the top of the fixture, according to applicable National Electrical Code (Fig.2).

5.
  - Test the fixture electrical connections by turning the fixture on and off.

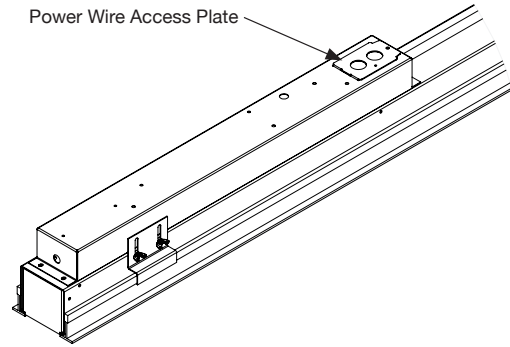


Fig.2 T-Grid Power Access

### If Continuous Run

- Connect adjacent fixtures (shown in Fig. 3) by aligning male and female ends of the segments, connecting power wires inside of the fixture, and fastening using 4 screws provided (2 per side)
- Test the run.

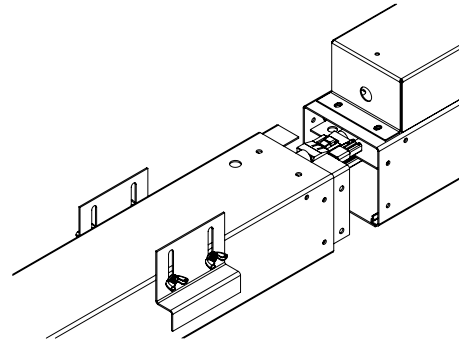


Fig. 3 T-Grid Continuous Run Connection

This document is the exclusive property of delviro energy inc. It is supplied in confidence and must not be used for any purpose other than for which it is supplied.

No disclosure, reproduction or use of any part of the enclosed may be made except by permission from delviro energy inc.

Specifications subject to change without notice.

© delviro energy