

# Thinline

## Perimeter

Installation Manual | Models: 2.25, 3.18, 4.5

### Safety & Warnings:

Failure to follow these instructions and warnings may result in death, serious injury or significant property damage.

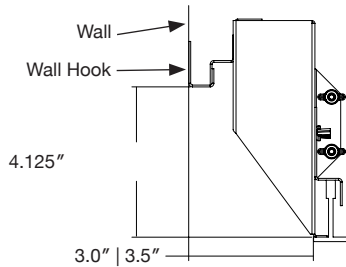


**Warning: Risk of Fire and Electrical Shock. Fixture must be installed by a qualified electrician only in accordance with National, Local Building, and Electrical Codes. Disconnect power at the electrical panel before servicing.**

General contractor is responsible for the installation of appropriate anchors to support the load of the fixture at positions detailed in the installation manual. Installation of such anchors or other support systems must be completed in accordance with applicable building/installation code.

### Steps

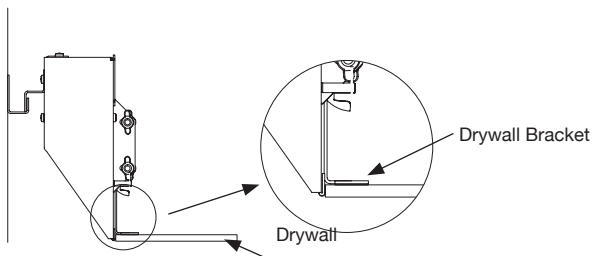
1.
  - Ensure the power to be connected to the fixture is turned off.
  - Secure wall hook onto the wall ensuring that the bottom edge of the mount is positioned 4 1/8" from the bottom of the drywall or T-Grid surface. **NOTE: The fixture can move approx 1/2" toward/away from the wall.**



Minimum Drywall/T-Grid Opening 3.0" | Maximum Drywall/T-Grid Opening 3.5"

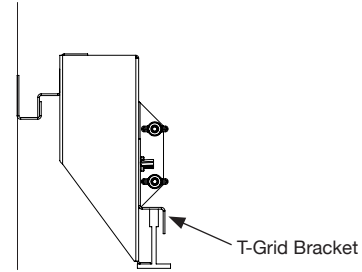
#### 2(a). For No Flange Mounting

- Adjust the position of the drywall brackets using the provided wing nuts according to the thickness of the drywall. Brackets can be adjusted up to one inch.



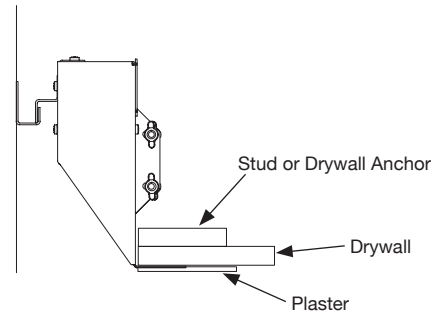
#### 2(b). For T-Grid Mounting

- Adjust the position of the T-Grid brackets using the provided wing nuts according to the T-Grid Structure. Brackets can be adjusted up to one inch.



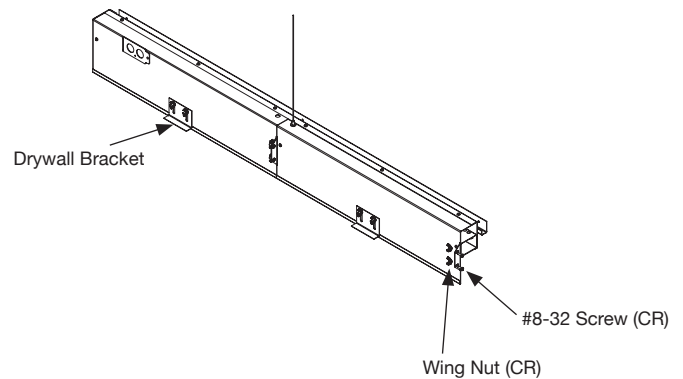
#### 2(c). For Spackle Flange Mounting

- Align and secure the fixture to the drywall surface by driving screws through the holes in the spackle flange and into drywall surface. **Note: wood blocking or drywall anchors are required to reinforce installation.**

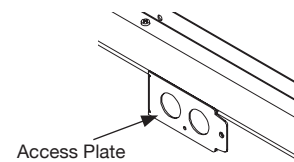


### If Continuous Run

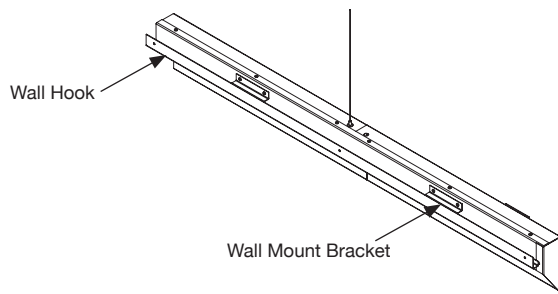
- Join fixtures as shown below using the provided #8-32 screws and wing nuts provided.



3. Using the power wire access plate, connect fixture power wires to main power according to applicable national electrical code.



- 4.
- Slide the fixture into the drywall opening and engage the fixture mounted brackets onto the previously installed wall hook.



- 5.
- Fixtures are provided with an aircraft cable gripper to use as a safety cable.
- 6.
- Peel protective film off of lens, if applicable. Angle and guide the lens into the fixture opening, then drop the lens flat onto the fixture supports

This document is the exclusive property of delviro energy inc. It is supplied in confidence and must not be used for any purpose other than for which it is supplied.

No disclosure, reproduction or use of any part of the enclosed may be made except by permission from delviro energy inc.

Specifications subject to change without notice.

© delviro energy

delviro.com